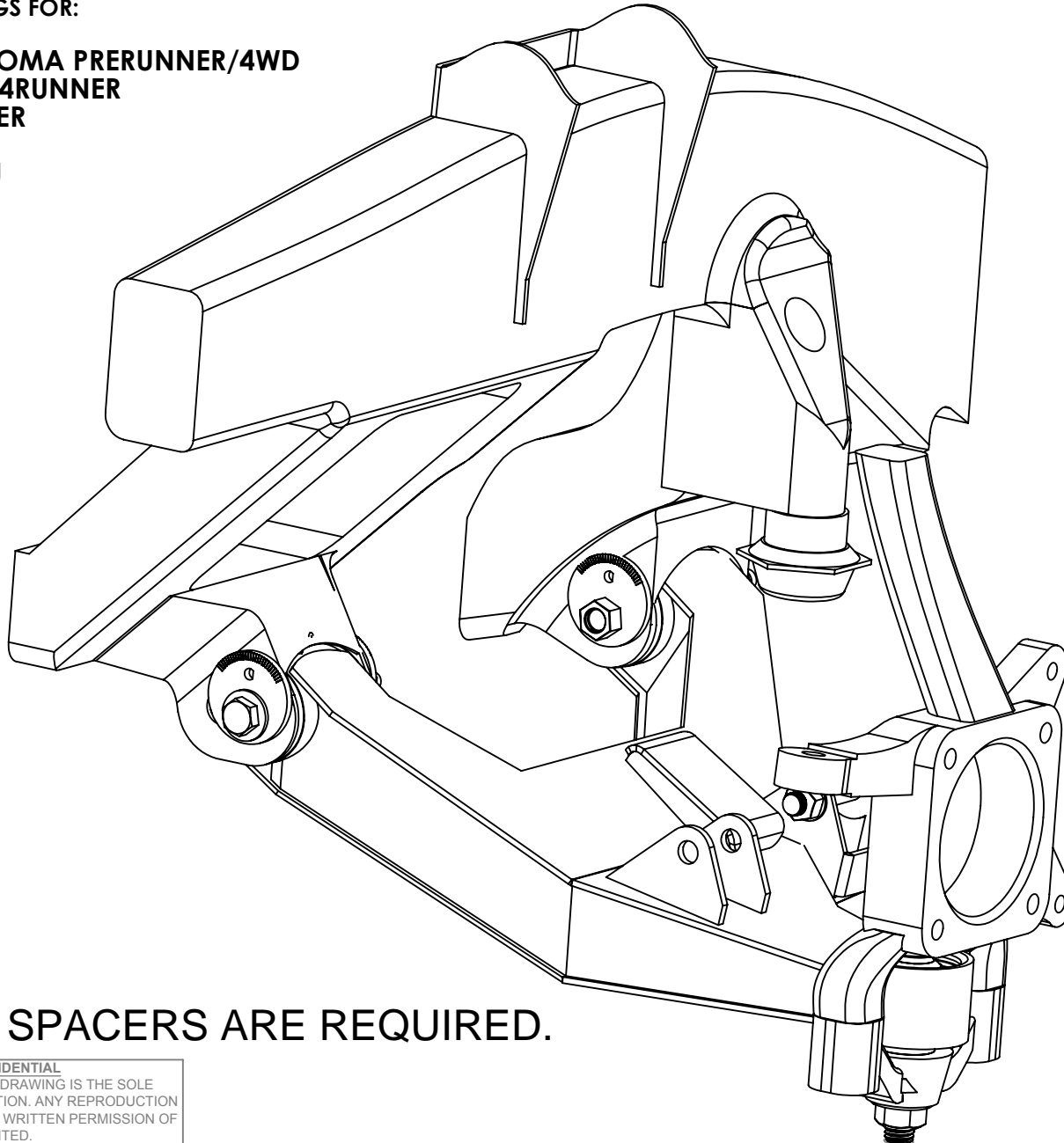


INSTALLATION DRAWINGS FOR:

PART# 86500-R
2005+ TOYOTA TACOMA PRERUNNER/4WD
2003-2009 TOYOTA 4RUNNER
2007-2009 FJ CRUISER

PART# 86500-R-10FJ
2010+ 4RUNNER
2010+ FJ CRUISER



1.25" WHEEL SPACERS ARE REQUIRED.

PROPRIETARY AND CONFIDENTIAL

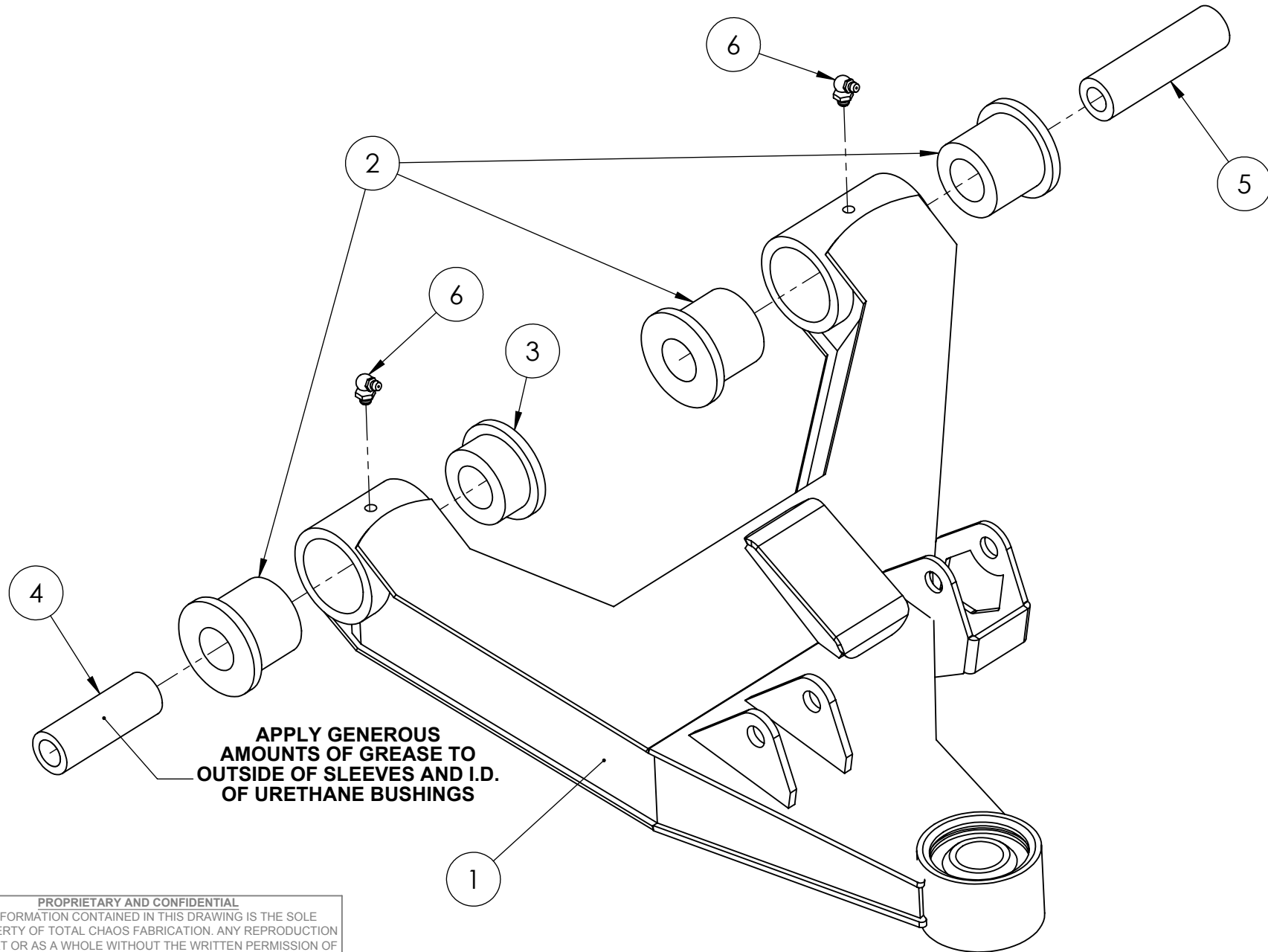
THE INFORMATION CONTAINED IN THIS DRAWING IS THE SOLE PROPERTY OF TOTAL CHAOS FABRICATION. ANY REPRODUCTION IN PART OR AS A WHOLE WITHOUT THE WRITTEN PERMISSION OF TOTAL CHAOS FABRICATION IS PROHIBITED.

INSTALLATION INSTRUCTIONS

RACE SERIES STOCK LENGTH CHROMOLY BOXED L.C.A.'S

86500R
86500R-10FJ

DATE: 8/1/2013
REV.: 01
SCALE:
PAGE: 2 OF 4
DRAWN: SW



PROPRIETARY AND CONFIDENTIAL

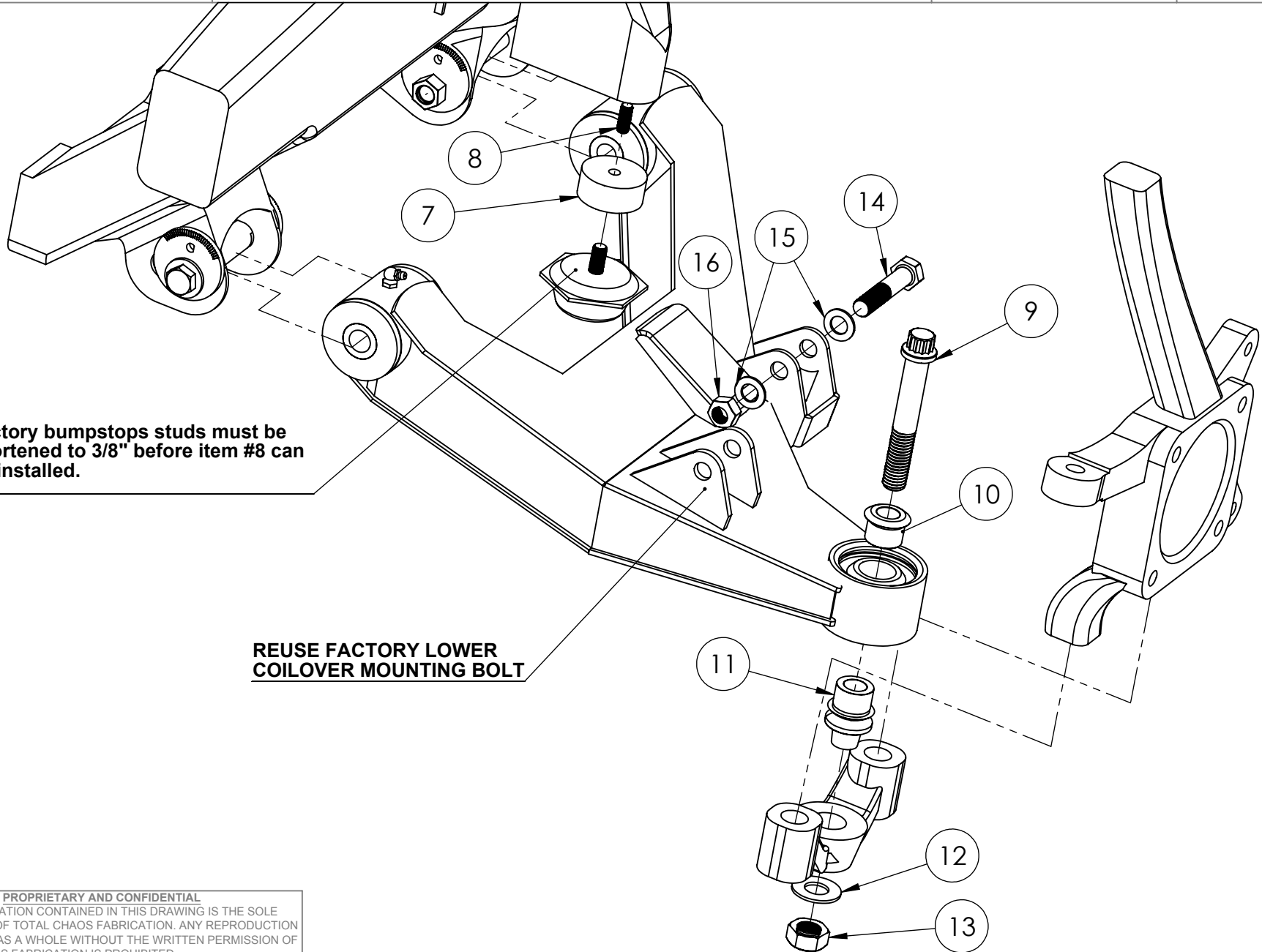
THE INFORMATION CONTAINED IN THIS DRAWING IS THE SOLE PROPERTY OF TOTAL CHAOS FABRICATION. ANY REPRODUCTION IN PART OR AS A WHOLE WITHOUT THE WRITTEN PERMISSION OF TOTAL CHAOS FABRICATION IS PROHIBITED.

INSTALLATION INSTRUCTIONS

RACE SERIES STOCK LENGTH CHROMOLY BOXED L.C.A.'S

86500R
86500R-10FJ

DATE: 8/1/2013
REV.: 01
SCALE:
PAGE: 3 OF 4
DRAWN: SW



Factory bumpstops studs must be shortened to 3/8" before item #8 can be installed.

**REUSE FACTORY LOWER
COILOVER MOUNTING BOLT**

PROPRIETARY AND CONFIDENTIAL
THE INFORMATION CONTAINED IN THIS DRAWING IS THE SOLE PROPERTY OF TOTAL CHAOS FABRICATION. ANY REPRODUCTION IN PART OR AS A WHOLE WITHOUT THE WRITTEN PERMISSION OF TOTAL CHAOS FABRICATION IS PROHIBITED.

INSTALLATION NOTES

The factory manual is required for torque specifications on all hardware. This procedure will involve the removal and re-installation of many parts. Always use factory replacements for worn or damaged parts. Always use new cotter keys during re-installation.

Some items are not shown for clarity.

Page 2

Apply generous amounts of synthetic grease to outside of sleeves and I.D. of urethane bushings.

Page 3

Torque item #9 to 100ft lbs.

Factory bumpstops studs must be shortened to 3/8" before item #8 can be installed.

PARTS LIST: 2005+ TACOMA LOWER CONTROL ARMS

ITEM #	PART #	QTY.	ITEM DESCRIPTION
1	86506L	1	CONTROL ARM, LANDCRUISER LOWER LEFT
	86506R	1	CONTROL ARM, LANDCRUISER LOWER RIGHT
2	60293	6	BUSHING, URETHANE SHORT HALF
3	60685	2	BUSHING, URETHANE LONG HALF
4	68608	2	SLEEVE, SHORT LOWER ARM INNER
5	68609	2	SLEEVE, LONG LOWER ARM INNER
6	10005	4	FITTING, GREASE (ZERK)
7	68610	2	SPACER, BUMP STOP
8	10611	2	STUD, 10mm x 1.00"
9	10141	2	BOLT, 5/8" x 4.00L 12-POINT
10	10058C	2	SPACER, TOP LOWER ARM MISALIGNMENT
11	10058TAC	2	SPACER, BOTTOM LOWER ARM MISALIGNMENT
12	12103	2	WASHER, 5/8" AN
13	11102	2	NUT, 5/8" GRADE C LOCK
14	10022	2	BOLT, 1/2" x 2.25" GRADE 8 SHOCK
15	12003	4	WASHER, 1/2" AN
16	11002	2	NUT, 1/2" GRADE C LOCK

TOTAL CHAOS Fabrication Inc.
159 North Maple St. Unit J
Corona, CA 92880
951.737.9682

WWW.CHAOSFAB.COM

PROPRIETARY AND CONFIDENTIAL

THE INFORMATION CONTAINED IN THIS DRAWING IS THE SOLE PROPERTY OF TOTAL CHAOS FABRICATION. ANY REPRODUCTION IN PART OR AS A WHOLE WITHOUT THE WRITTEN PERMISSION OF TOTAL CHAOS FABRICATION IS PROHIBITED.

1.25" WHEEL SPACERS ARE REQUIRED. Inspect equipment for proper clearance after installation.



Steering stop must be trimmed off of the lower ball joint cradle or severe damage to the new lower control arm will result. Some contact may remain at full lock steering.

Included bump stop spacer can be welded to the frame or installed using the supplied 10mm stud. If supplied 10mm stud is used, the factory bump stop's mounting stud will need to be trimmed.