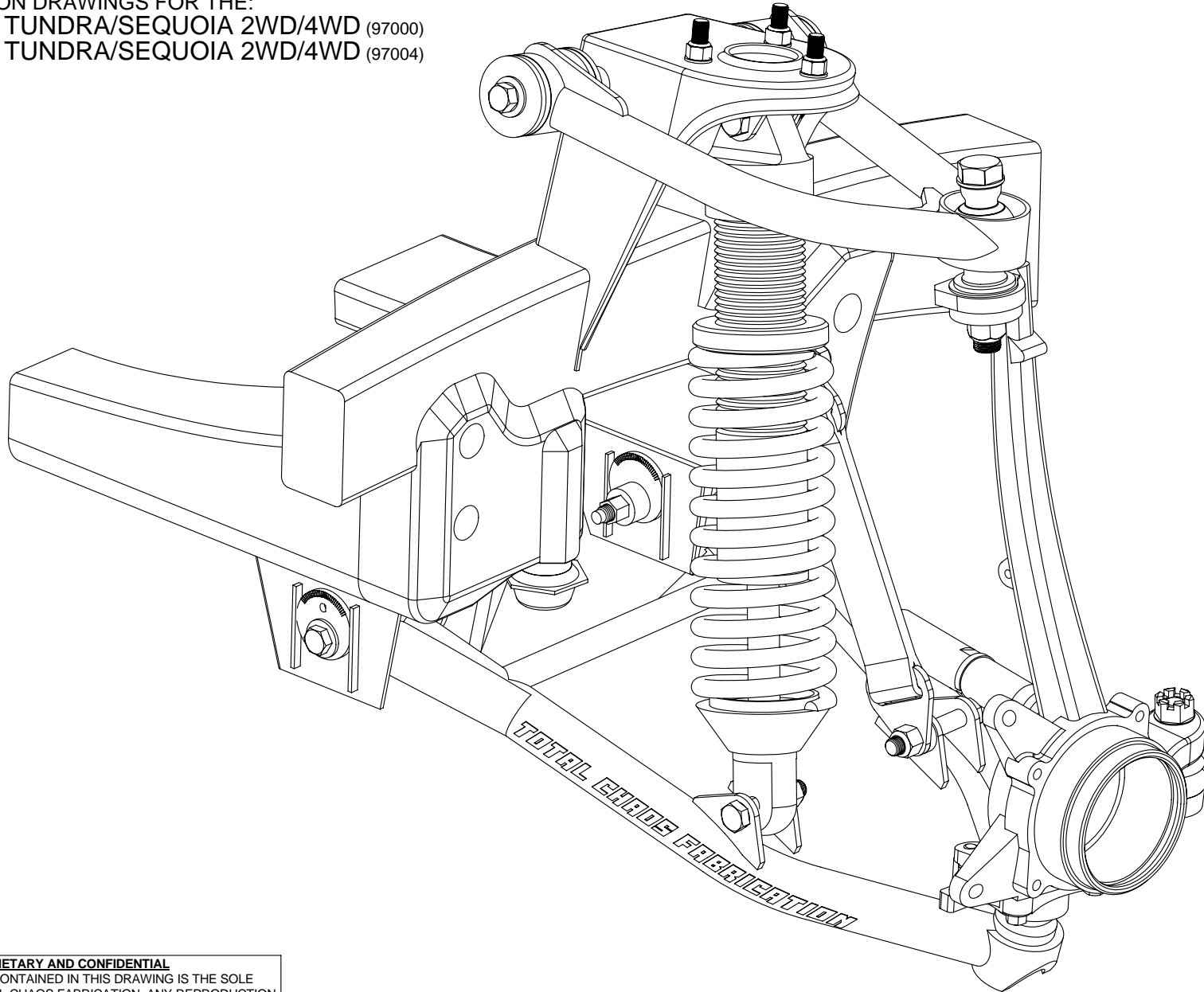
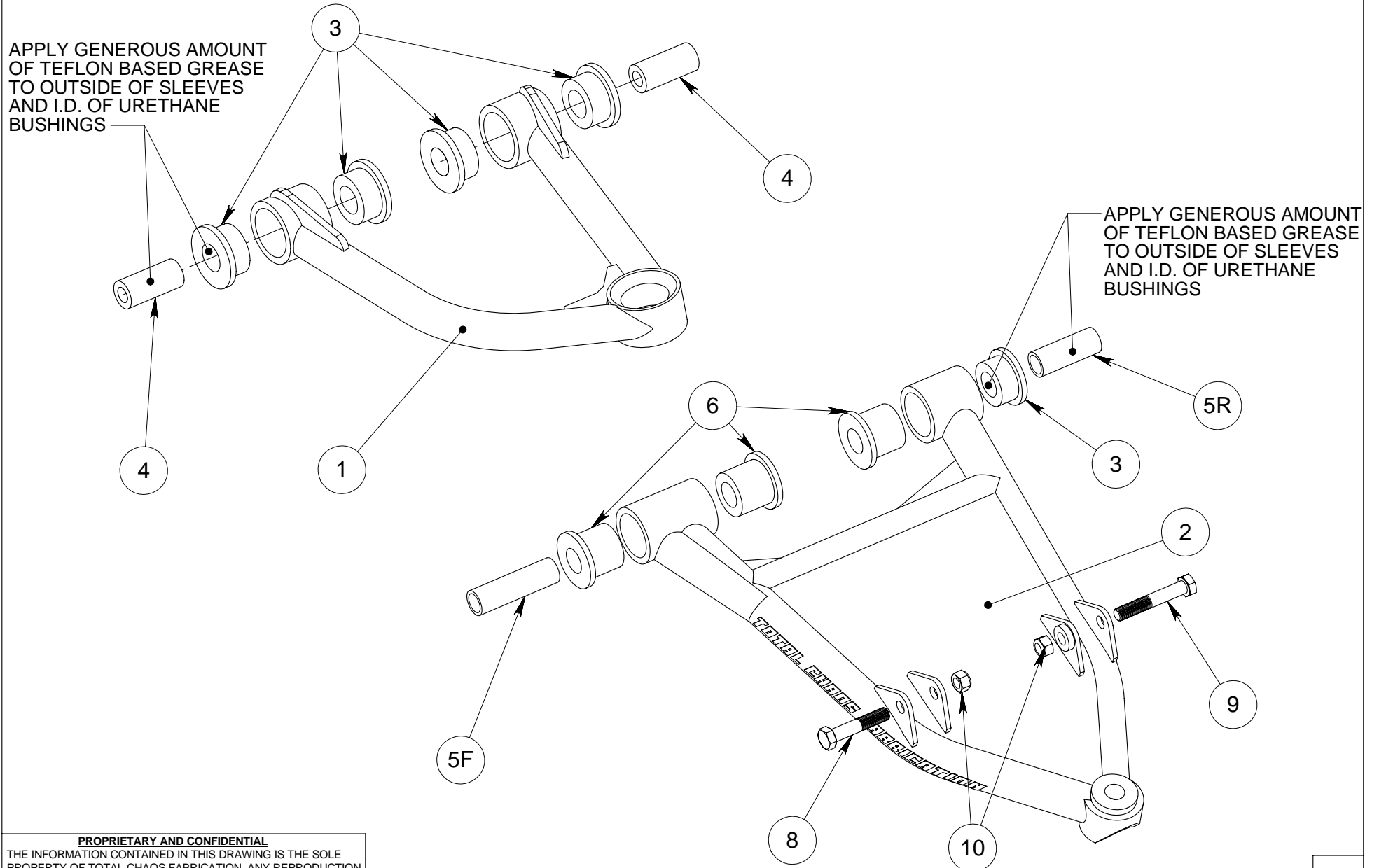


INSTALLATION DRAWINGS FOR THE:
2000-2003 TUNDRA/SEQUOIA 2WD/4WD (97000)
2004-2006 TUNDRA/SEQUOIA 2WD/4WD (97004)

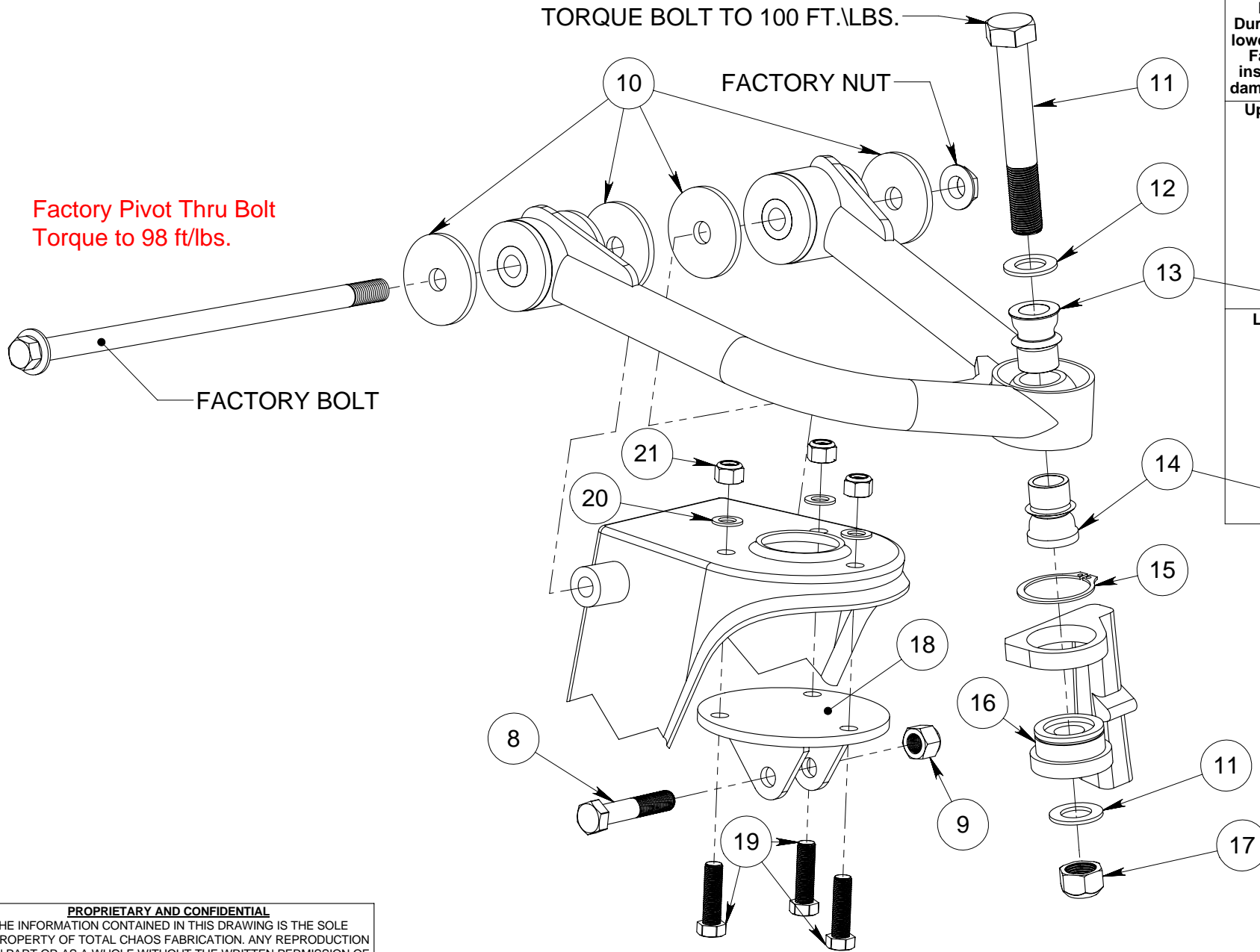


PROPRIETARY AND CONFIDENTIAL

THE INFORMATION CONTAINED IN THIS DRAWING IS THE SOLE PROPERTY OF TOTAL CHAOS FABRICATION. ANY REPRODUCTION IN PART OR AS A WHOLE WITHOUT THE WRITTEN PERMISSION OF TOTAL CHAOS FABRICATION IS PROHIBITED.

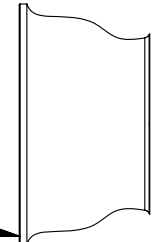


PROPRIETARY AND CONFIDENTIAL
 THE INFORMATION CONTAINED IN THIS DRAWING IS THE SOLE PROPERTY OF TOTAL CHAOS FABRICATION. ANY REPRODUCTION IN PART OR AS A WHOLE WITHOUT THE WRITTEN PERMISSION OF TOTAL CHAOS FABRICATION IS PROHIBITED.

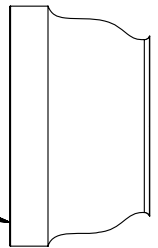


IMPORTANT NOTE:
 During assembly, upper & lower spacers are specific. Failure to follow these instructions will result in damage of all components.

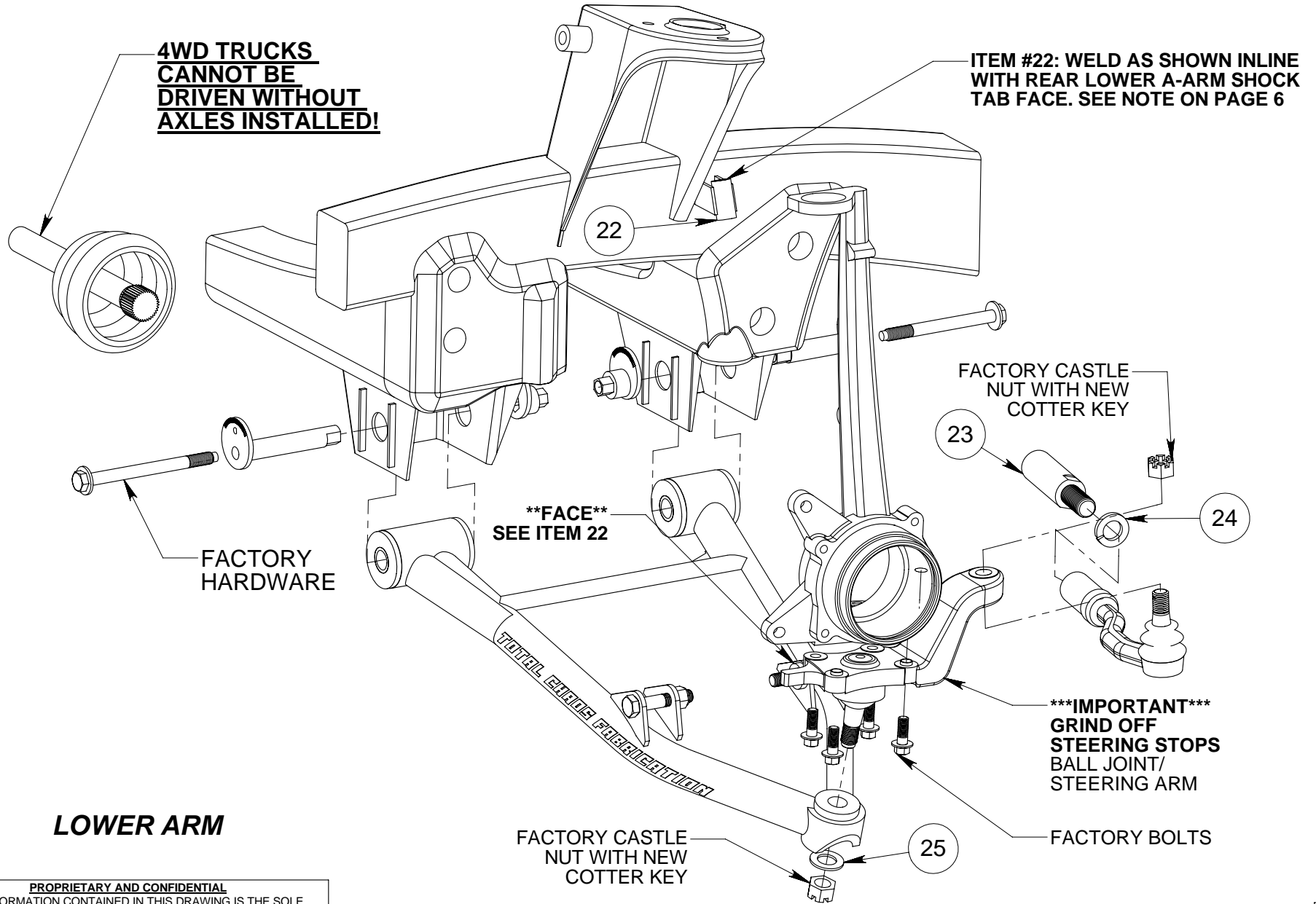
Upper spacer is shorter



Lower spacer is taller

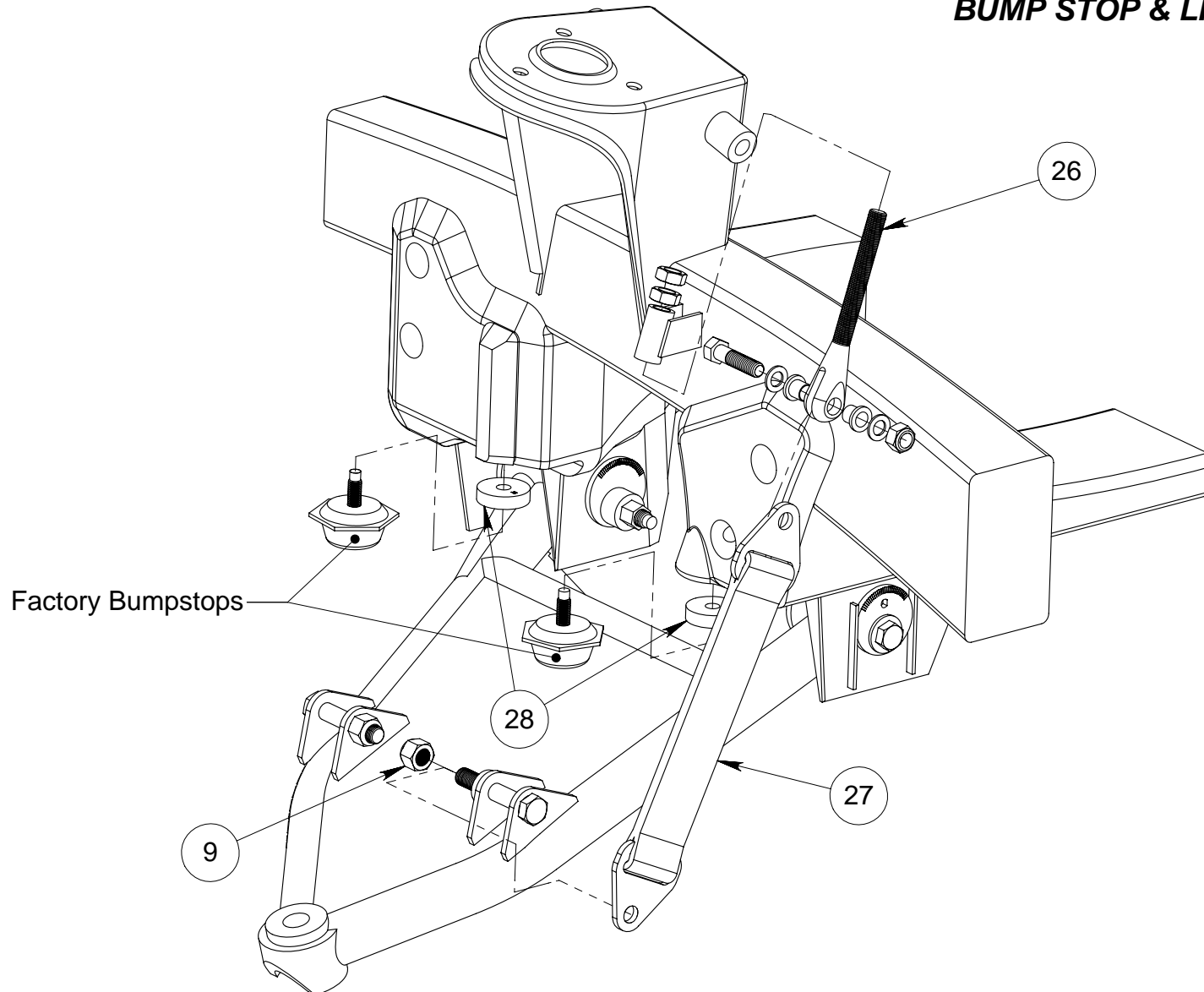


PROPRIETARY AND CONFIDENTIAL
 THE INFORMATION CONTAINED IN THIS DRAWING IS THE SOLE PROPERTY OF TOTAL CHAOS FABRICATION. ANY REPRODUCTION IN PART OR AS A WHOLE WITHOUT THE WRITTEN PERMISSION OF TOTAL CHAOS FABRICATION IS PROHIBITED.



PROPRIETARY AND CONFIDENTIAL
THE INFORMATION CONTAINED IN THIS DRAWING IS THE SOLE
PROPERTY OF TOTAL CHAOS FABRICATION. ANY REPRODUCTION
IN PART OR AS A WHOLE WITHOUT THE WRITTEN PERMISSION OF
TOTAL CHAOS FABRICATION IS PROHIBITED.

BUMP STOP & LIMIT STRAP



PROPRIETARY AND CONFIDENTIAL
THE INFORMATION CONTAINED IN THIS DRAWING IS THE SOLE
PROPERTY OF TOTAL CHAOS FABRICATION. ANY REPRODUCTION
IN PART OR AS A WHOLE WITHOUT THE WRITTEN PERMISSION OF
TOTAL CHAOS FABRICATION IS PROHIBITED.

INSTALLATION NOTES

The factory manual is required for torque specifications on all hardware. This procedure will involve the removal and re-installation of many parts. Always use replacement factory parts for any worn or damaged parts. Always use new cotter keys for reinstallation.

Some items are not shown for clarity.

Page 2

Apply generous amounts of teflon based grease to outside of sleeves and I.D. of urethane bushings. (Teflon based grease is available from TOTAL CHAOS. Part # - Superlube)

Page 3

Torque Item# 11 to 100 ft/lbs.

Page 5

After installation is complete (shocks installed), adjust limit strap so that there is a 1/4" gap between the high misalignment spacer and the uniball cup on the upper control arm (see model below). Limit straps will stretch over time and will need to be adjusted periodically to prevent damage to shocks and uniball components.

*****IMPORTANT INFORMATION*****

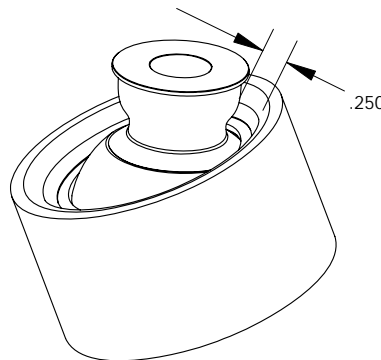
1. 4WD TRUCKS CANNOT BE DRIVEN WITHOUT AXLES INSTALLED!
Wheel bearings will fail causing serious damage and/or injury.

2. Grind off the steering stops on lower balljoints.

Inspect all components and re-torque all hardware within 500 miles.

TOTAL CHAOS Fabrication Inc.
159 North Maple St. Unit J
Corona, CA 92880
951.737.9682

WWW.CHAOSFAB.COM



PARTS LIST: 00-06 TUNDRA LONG TRAVEL KIT

ITEM #	PART #	QTY.	ITEM DESCRIPTION
1	99701L	1	CONTROL ARM, 00-06 TUNDRA L/T UPPER LEFT
	99701R	1	CONTROL ARM, 00-06 TUNDRA L/T UPPER RIGHT
2	99702L	1	CONTROL ARM, 00-03 TUNDRA L/T LOWER LEFT
	99702R	1	CONTROL ARM, 00-03 TUNDRA L/T LOWER RIGHT
	99704L	1	CONTROL ARM, 04-06 TUNDRA L/T LOWER LEFT
	99704R	1	CONTROL ARM, 04-06 TUNDRA L/T LOWER RIGHT
3	60684	10	BUSHING, URETHANE SHORT HALF
4	69120	4	INNER SLEEVE, UPPER CONTROL ARM
5F	69703	2	INNER SLEEVE, TUNDRA LONG LOWER
5R	69602	2	INNER SLEEVE, TUNDRA SHORT LOWER
6	60292	6	BUSHING, URETHANE LONG HALF
7	10025	4	SHOCK BOLT, 1/2" x 2.50L
8	10030	2	SHOCK BOLT, 1/2" x 3.00L
9	11001	6	NUT, 1/2" NYLOCK
10	69620	8	WASHER, UPPER CONTROL ARM
11	10350	2	BOLT, 3/4" x 5.00L
12	12303	4	WASHER 3/4" AN
13	10034TCF	2	SPACER, SHORT HIGH MISALIGNMENT
14	10034T	2	SPACER, TALL HIGH MISALIGNMENT
15	69615	2	CLIP, UNIBALL SLUG ADAPTER RETAINING
16	69616	2	ADAPTER, UNIBALL SLUG
17	11302	2	NUT, 3/4" C-LOCK
18	59721K	2	SHOCK CIRCLE, FOX/KING
	59620S	2	SHOCK CIRCLE, SWAY-A-WAY
19	10515	6	BOLT, 7/16" x 1.50"
20	12504	6	WASHER, 7/16" SAE
21	11501	6	NUT, 7/16" NYLOCK
22	69619	2	LIMIT STRAP CLEVIS WELD-ON MOUNT
23	99018	2	EXTENSION, 18MM TIE-ROD
24	12018	2	SPLIT LOCK WASHER, 18MM
25	12104	2	WASHER, 5/8" SAE
26	69618	2	CLEVIS, LIMIT STRAP ADJUSTER
27	69617	2	12" LIMIT STRAP
28	69612	2	STRAP, 3/8" THICK BUMPSTOP

PROPRIETARY AND CONFIDENTIAL
THE INFORMATION CONTAINED IN THIS DRAWING IS THE SOLE PROPERTY OF TOTAL CHAOS FABRICATION. ANY REPRODUCTION IN PART OR AS A WHOLE WITHOUT THE WRITTEN PERMISSION OF TOTAL CHAOS FABRICATION IS PROHIBITED.

Please note for 97000-B:

If installing a 97000-B kit, make sure the lower control arms are mounted with the lower arm skid plate and holes in the front of the arm.

