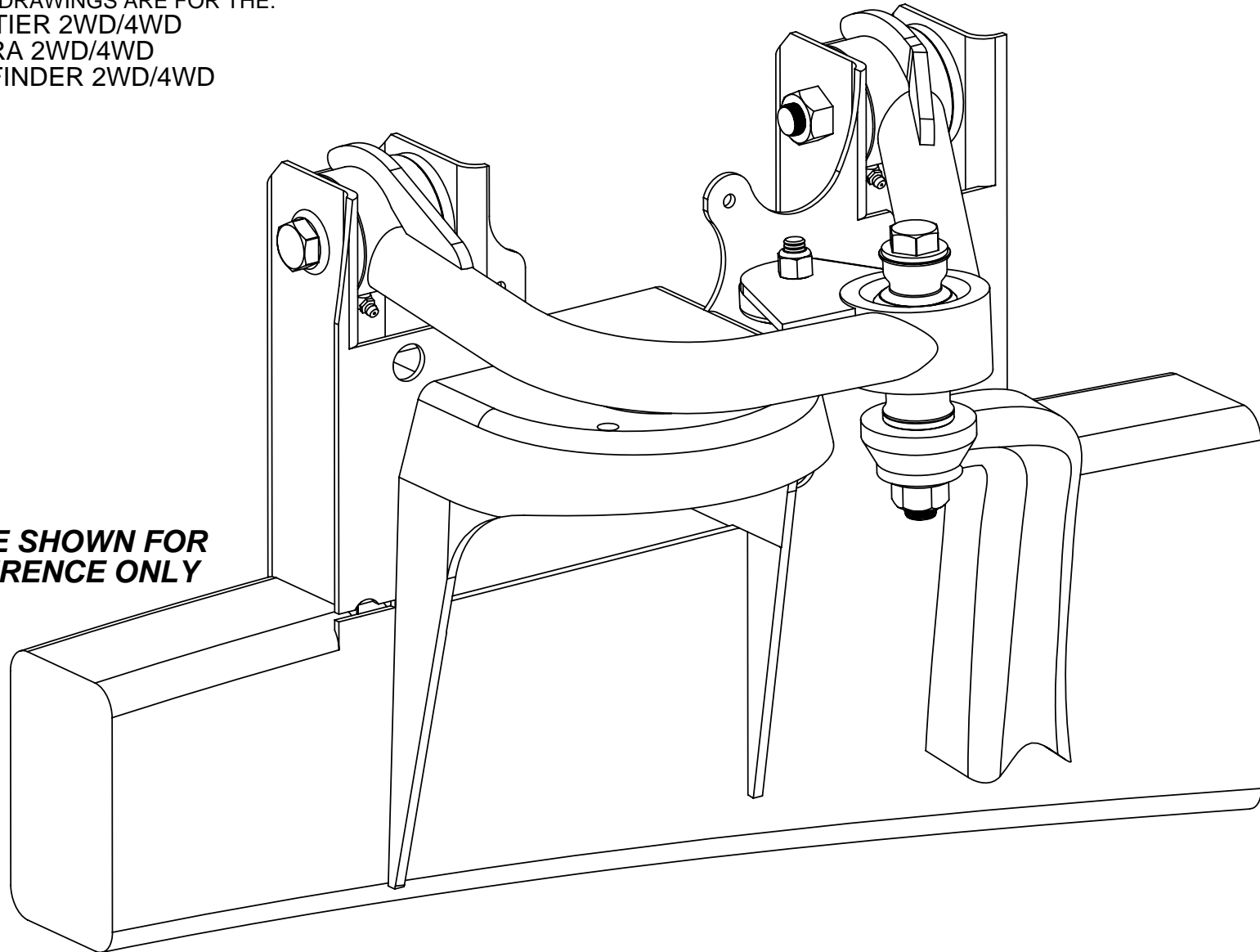


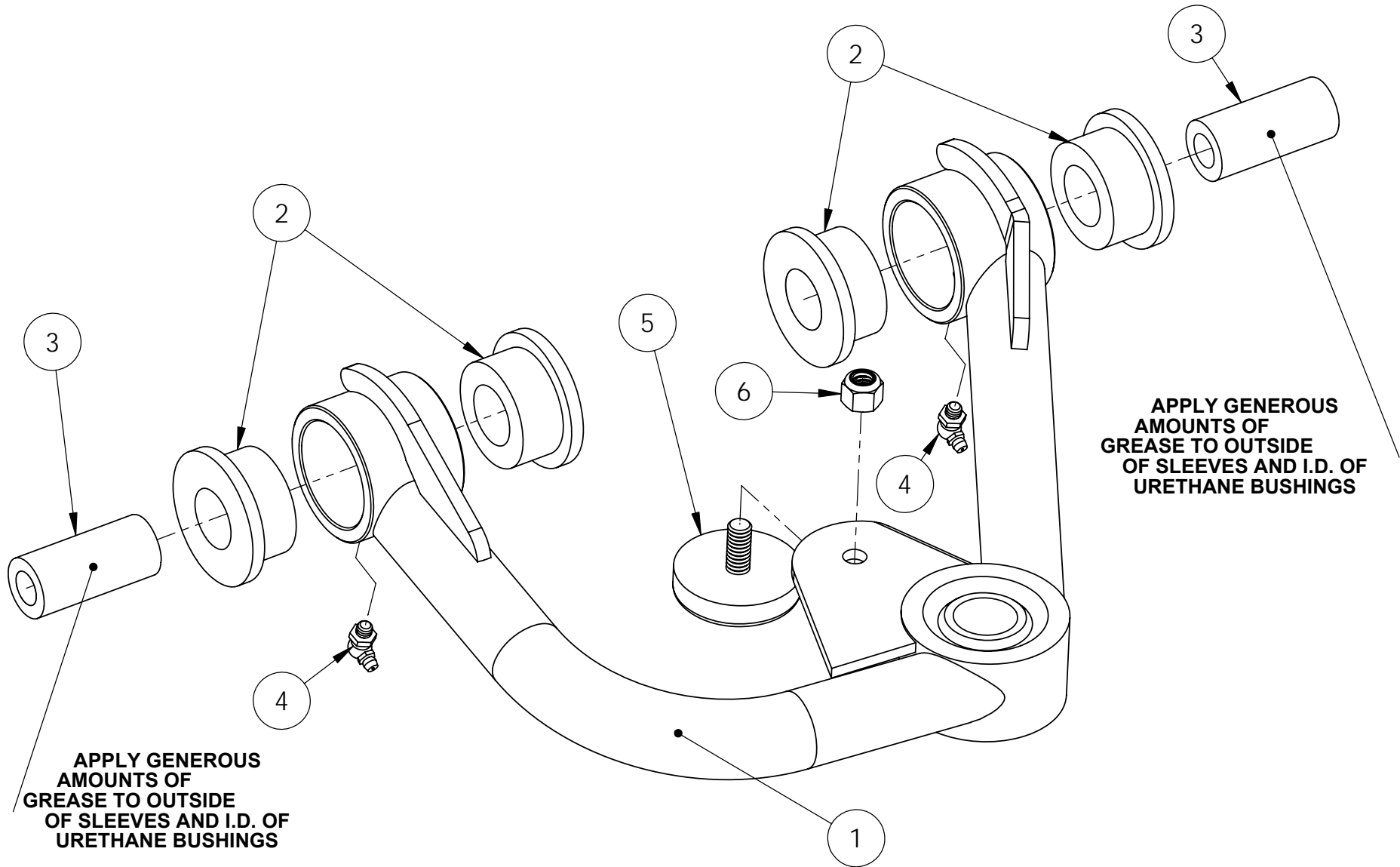
INSTALLATION DRAWINGS ARE FOR THE:
2005+ FRONTIER 2WD/4WD
2005+ XTERRA 2WD/4WD
2005+ PATHFINDER 2WD/4WD

**FRAME SHOWN FOR
REFERENCE ONLY**



PROPRIETARY AND CONFIDENTIAL
THE INFORMATION CONTAINED IN THIS DRAWING IS THE SOLE
PROPERTY OF TOTAL CHAOS FABRICATION. ANY REPRODUCTION
IN PART OR AS A WHOLE WITHOUT THE WRITTEN PERMISSION OF
TOTAL CHAOS FABRICATION IS PROHIBITED.

*LEFT SIDE OF TRUCK SHOWN. SOME ITEMS NOT SHOWN FOR CLARITY.



APPLY GENEROUS
AMOUNTS OF
GREASE TO OUTSIDE
OF SLEEVES AND I.D. OF
URETHANE BUSHINGS

APPLY GENEROUS
AMOUNTS OF
GREASE TO OUTSIDE
OF SLEEVES AND I.D. OF
URETHANE BUSHINGS

PROPRIETARY AND CONFIDENTIAL
THE INFORMATION CONTAINED IN THIS DRAWING IS THE SOLE
PROPERTY OF TOTAL CHAOS FABRICATION. ANY REPRODUCTION
IN PART OR AS A WHOLE WITHOUT THE WRITTEN PERMISSION OF
TOTAL CHAOS FABRICATION IS PROHIBITED.

*LEFT SIDE OF TRUCK SHOWN. SOME ITEMS NOT SHOWN FOR CLARITY.

Driver side only:

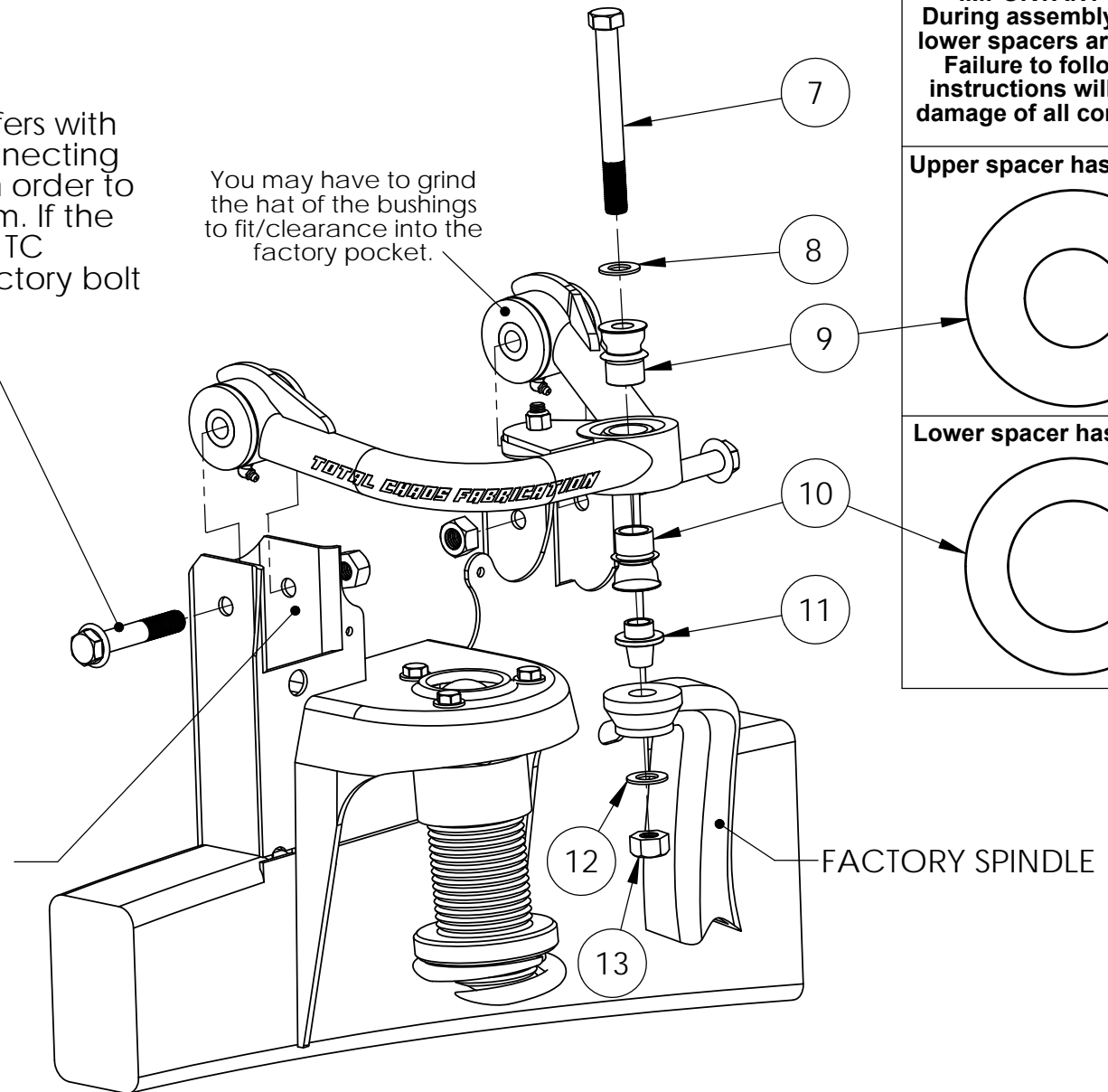
The factory steering shaft interferes with the removal of this bolt. Disconnecting the steering shaft is necessary in order to remove the factory control arm. If the bolt becomes damaged, TC recommends purchasing the factory bolt from Nissan.

**Factory Pivot Bolts
Torque to 94 ft/lbs.**

Important Note:

Once the factory upper control arm is removed, there are two raised contact points in each pivot on the frame. These must be ground or sanded off before installation of TC arm.

You may have to grind the hat of the bushings to fit/clearance into the factory pocket.



IMPORTANT NOTE:
During assembly, upper & lower spacers are specific. Failure to follow these instructions will result in damage of all components.

Upper spacer has 9/16" hole

Lower spacer has 3/4" hole

PROPRIETARY AND CONFIDENTIAL
THE INFORMATION CONTAINED IN THIS DRAWING IS THE SOLE PROPERTY OF TOTAL CHAOS FABRICATION. ANY REPRODUCTION IN PART OR AS A WHOLE WITHOUT THE WRITTEN PERMISSION OF TOTAL CHAOS FABRICATION IS PROHIBITED.

*LEFT SIDE OF TRUCK SHOWN. SOME ITEMS NOT SHOWN FOR CLARITY.

INSTALLATION NOTES

The factory manual is required for torque specifications on all factory hardware. This procedure will involve the removal and re-installation of many parts. Always use factory replacements for worn or damaged parts.

Some items are not shown for clarity.

Page 2

Apply generous amounts of grease to outside of sleeves and I.D. of urethane bushings.

Page 3

Torque Item# 7 to 100 ft/lbs.

All noted procedures must be performed on this page to ensure complete installation.

Inspect all components and re-torque all hardware within 500 miles.

PARTS LIST: 05+ FRONTIER/XTERRA UPPER CONTROL ARM

ITEM #	PART #	QTY.	ITEM DESCRIPTION
1	99151L	1	CONTROL ARM, 05+ FRONTIER UPPER LEFT
	99151R	1	CONTROL ARM, 05+ FRONTIER UPPER RIGHT
2	60684	8	BUSHING, URETHANE HALF
3	69120	4	INNER SLEEVE
4	10005	4	FITTING, GREASE (ZERK)
5	60235	2	BUMP STOP, URETHANE
6	11010	2	NUT, 3/8" NYLOCK
7	10251	2	BOLT, 9/16" x 5.00L
8	12203	2	WASHER, 9/16" AN
9	100916	2	SPACER, 9/16" MISALIGNMENT
10	10034TCF	2	SPACER, 3/4" MISALIGNMENT
11	30004	2	SLEEVE, 9/16" TAPERED ADAPTER
12	12204	2	WASHER, 9/16" SAE
13	11202	2	NUT, 9/16" C-LOCK

TOTAL CHAOS Fabrication Inc.
159 North Maple St. Unit J
Corona, CA 92880
951.737.9682

PROPRIETARY AND CONFIDENTIAL

THE INFORMATION CONTAINED IN THIS DRAWING IS THE SOLE PROPERTY OF TOTAL CHAOS FABRICATION. ANY REPRODUCTION IN PART OR AS A WHOLE WITHOUT THE WRITTEN PERMISSION OF TOTAL CHAOS FABRICATION IS PROHIBITED.

*LEFT SIDE OF TRUCK SHOWN. SOME ITEMS NOT SHOWN FOR CLARITY.