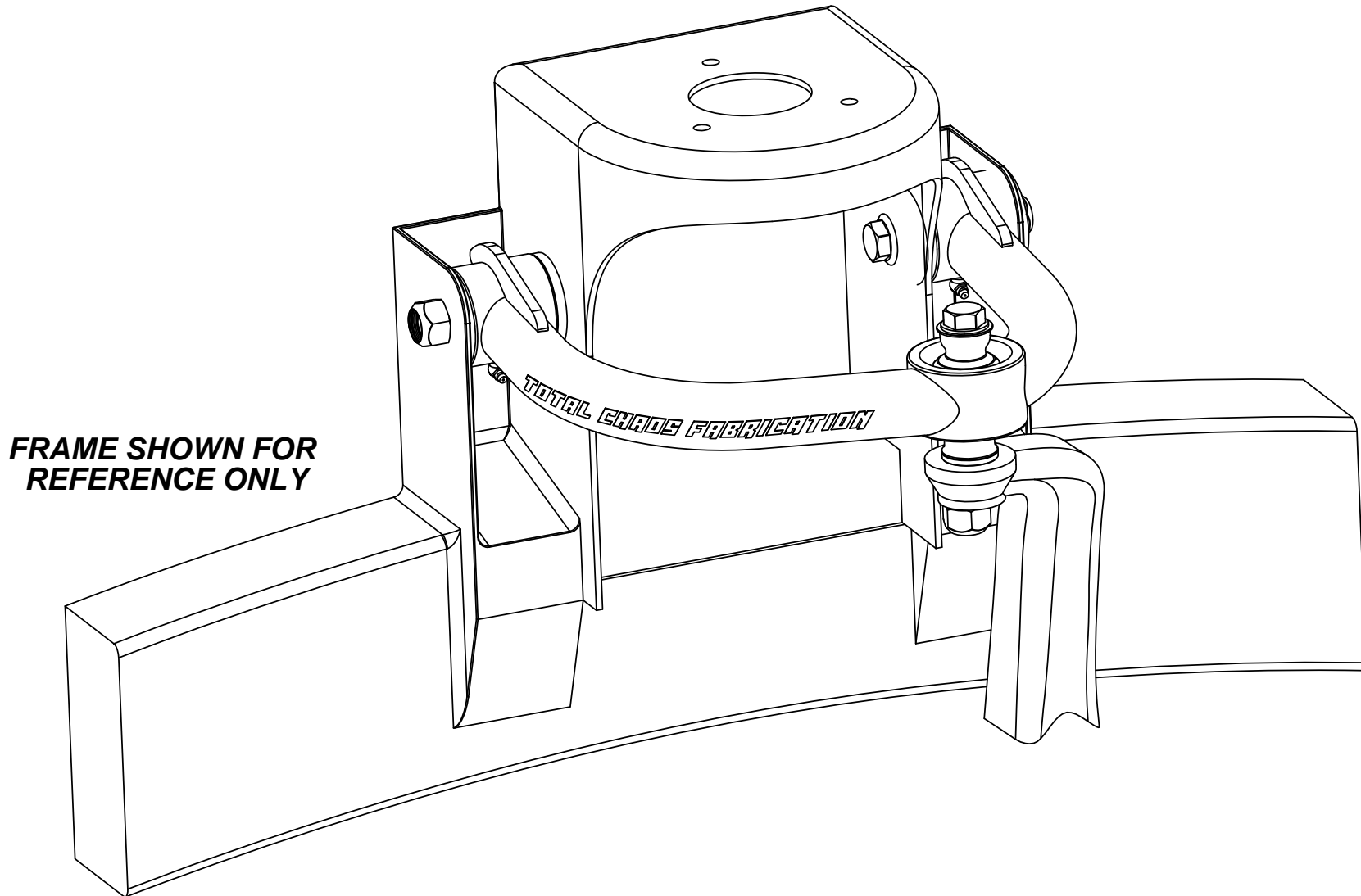


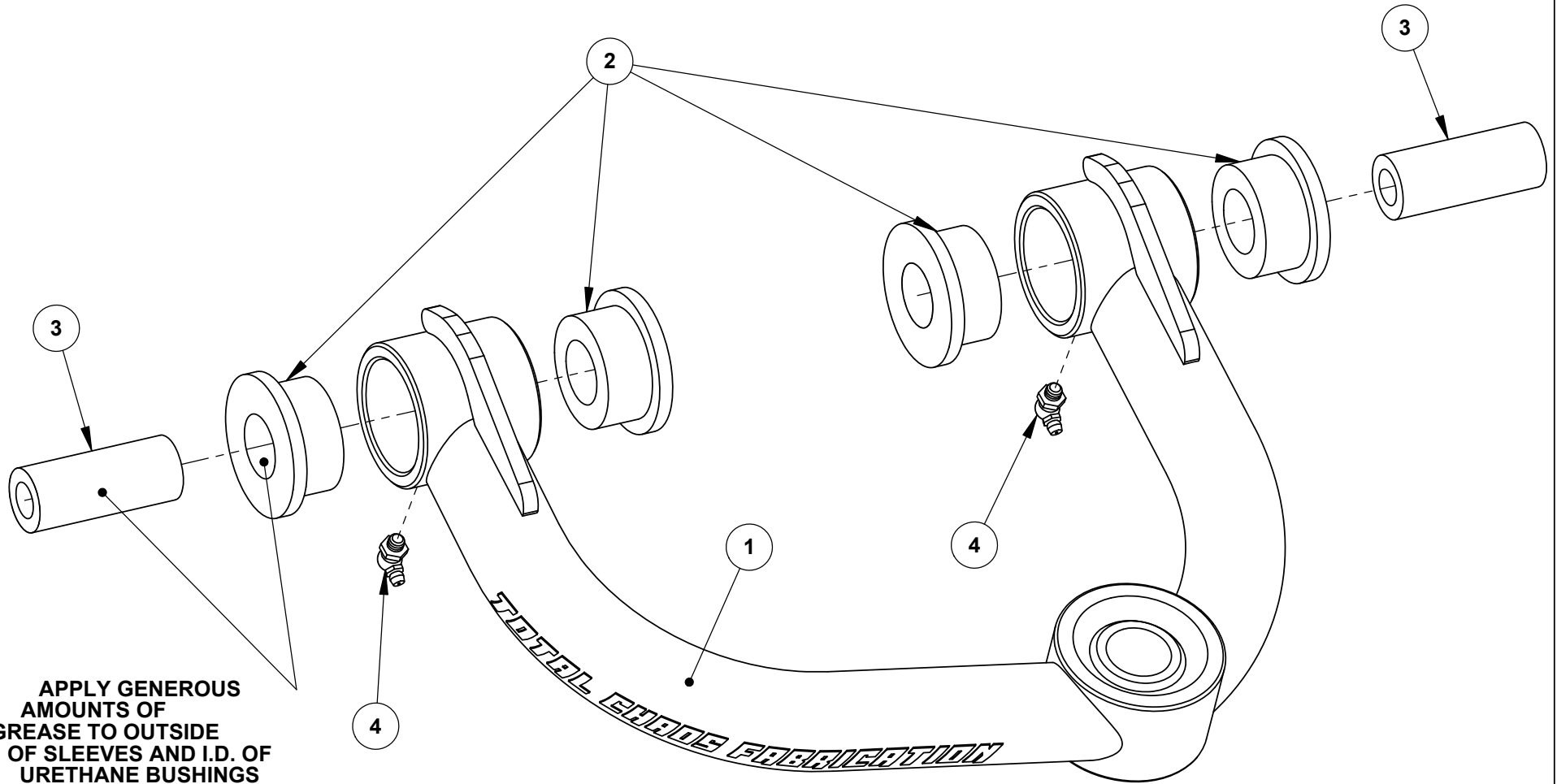
INSTALLATION DRAWINGS ARE FOR THE:  
2010+ FORD F150 RAPTOR



**PROPRIETARY AND CONFIDENTIAL**

THE INFORMATION CONTAINED IN THIS DRAWING IS THE SOLE  
PROPERTY OF TOTAL CHAOS FABRICATION. ANY REPRODUCTION  
IN PART OR AS A WHOLE WITHOUT THE WRITTEN PERMISSION OF  
TOTAL CHAOS FABRICATION IS PROHIBITED.

LEFT SIDE OF TRUCK SHOWN. SOME ITEMS NOT SHOWN FOR CLARITY.



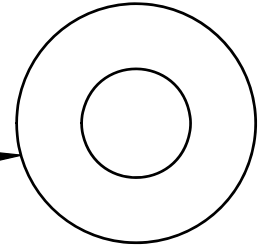
APPLY GENEROUS  
AMOUNTS OF  
GREASE TO OUTSIDE  
OF SLEEVES AND I.D. OF  
URETHANE BUSHINGS

**PROPRIETARY AND CONFIDENTIAL**  
THE INFORMATION CONTAINED IN THIS DRAWING IS THE SOLE  
PROPERTY OF TOTAL CHAOS FABRICATION. ANY REPRODUCTION  
IN PART OR AS A WHOLE WITHOUT THE WRITTEN PERMISSION OF  
TOTAL CHAOS FABRICATION IS PROHIBITED.

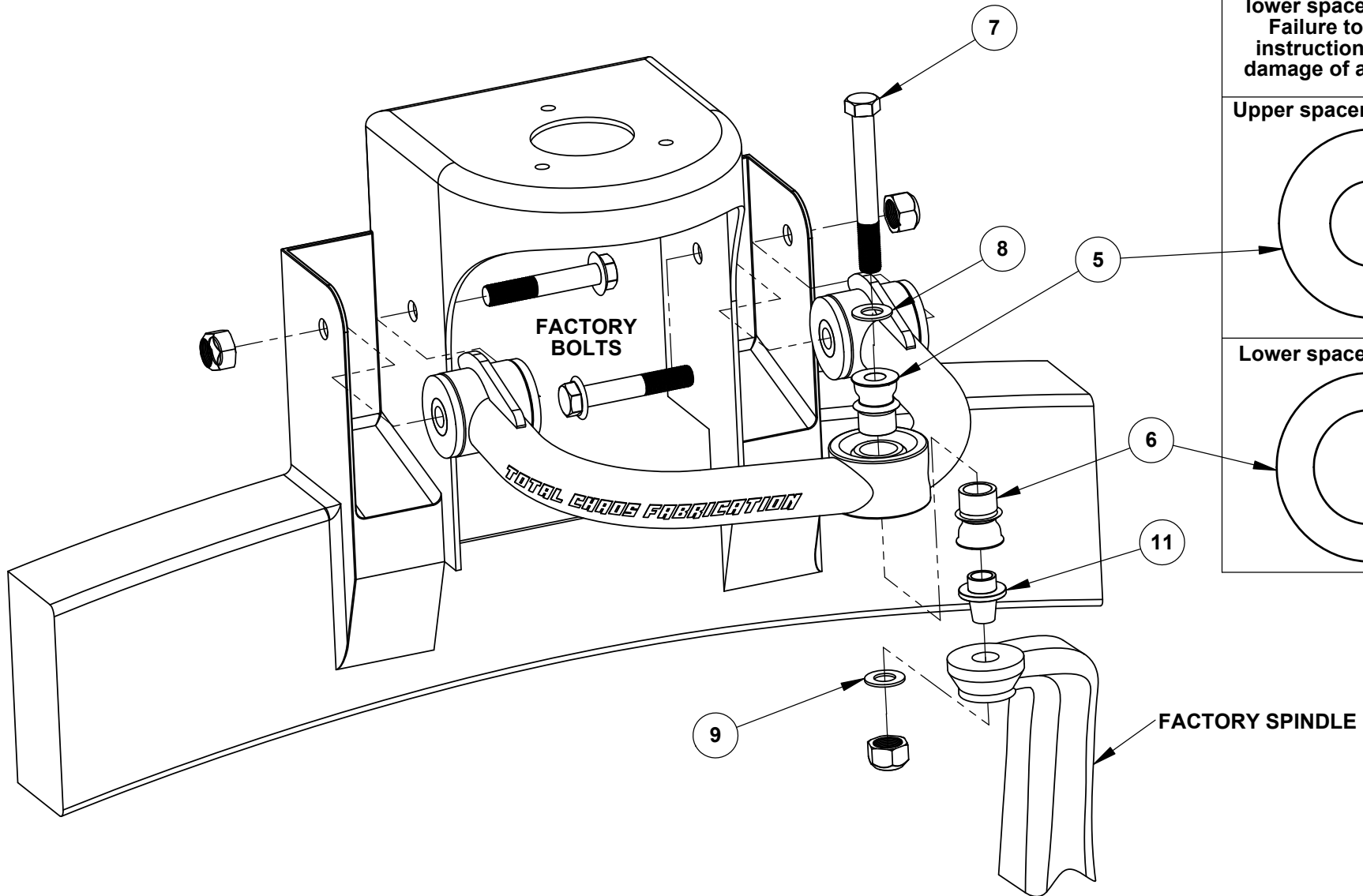
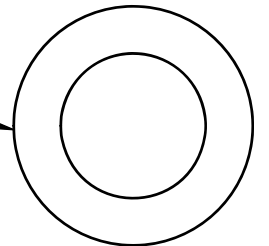
LEFT SIDE OF TRUCK SHOWN. SOME ITEMS NOT SHOWN FOR CLARITY.

**IMPORTANT NOTE:**  
During assembly, upper & lower spacers are specific.  
Failure to follow these instructions will result in damage of all components.

Upper spacer has 9/16" hole



Lower spacer has 3/4" hole



**PROPRIETARY AND CONFIDENTIAL**  
THE INFORMATION CONTAINED IN THIS DRAWING IS THE SOLE PROPERTY OF TOTAL CHAOS FABRICATION. ANY REPRODUCTION IN PART OR AS A WHOLE WITHOUT THE WRITTEN PERMISSION OF TOTAL CHAOS FABRICATION IS PROHIBITED.

LEFT SIDE OF TRUCK SHOWN. SOME ITEMS NOT SHOWN FOR CLARITY.

**INSTALLATION NOTES**

The factory manual is required for torque specifications on all factory hardware. This procedure will involve the removal and re-installation of many parts. Always use factory replacements for worn or damaged parts.

Some items are not shown for clarity.

**Page 2**  
Apply generous amounts of grease to outside of sleeves and I.D. of urethane bushings.

**Page 3**  
Torque Item# 7 to 100 ft/lbs.

Inspect all components and re-torque all hardware within 500 miles.

PARTS LIST: 2010+ F150 RAPTOR UPPER CONTROL ARM			
ITEM #	PART #	QTY.	ITEM DESCRIPTION
1	99850L	1	CONTROL ARM, 2010+ RAPTOR UPPER LEFT
	99850R	1	CONTROL ARM, 2010+ RAPTOR UPPER RIGHT
2	60684	8	BUSHING, URETHANE HALF
3	68051	4	INNER SLEEVE
4	10005	4	FITTING, GREASE (ZERK)
5	10034TCF	2	SPACER, 3/4" MISALIGNMENT
6	100916	2	SPACER, 9/16" MISALIGNMENT
7	10251	2	BOLT, 9/16" x 5.00L
8	12203	2	WASHER, 9/16" AN
9	12204	2	WASHER, 9/16" SAE
10	11202	2	NUT, 9/16" C-LOCK
11	30006	2	SLEEVE, 9/16" TAPERED ADAPTER

**TOTAL CHAOS Fabrication Inc.**  
**159 North Maple St. Unit J**  
**Corona, CA 92880**  
**951.737.9682**

**PROPRIETARY AND CONFIDENTIAL**  
THE INFORMATION CONTAINED IN THIS DRAWING IS THE SOLE PROPERTY OF TOTAL CHAOS FABRICATION. ANY REPRODUCTION IN PART OR AS A WHOLE WITHOUT THE WRITTEN PERMISSION OF TOTAL CHAOS FABRICATION IS PROHIBITED.

LEFT SIDE OF TRUCK SHOWN. SOME ITEMS NOT SHOWN FOR CLARITY.