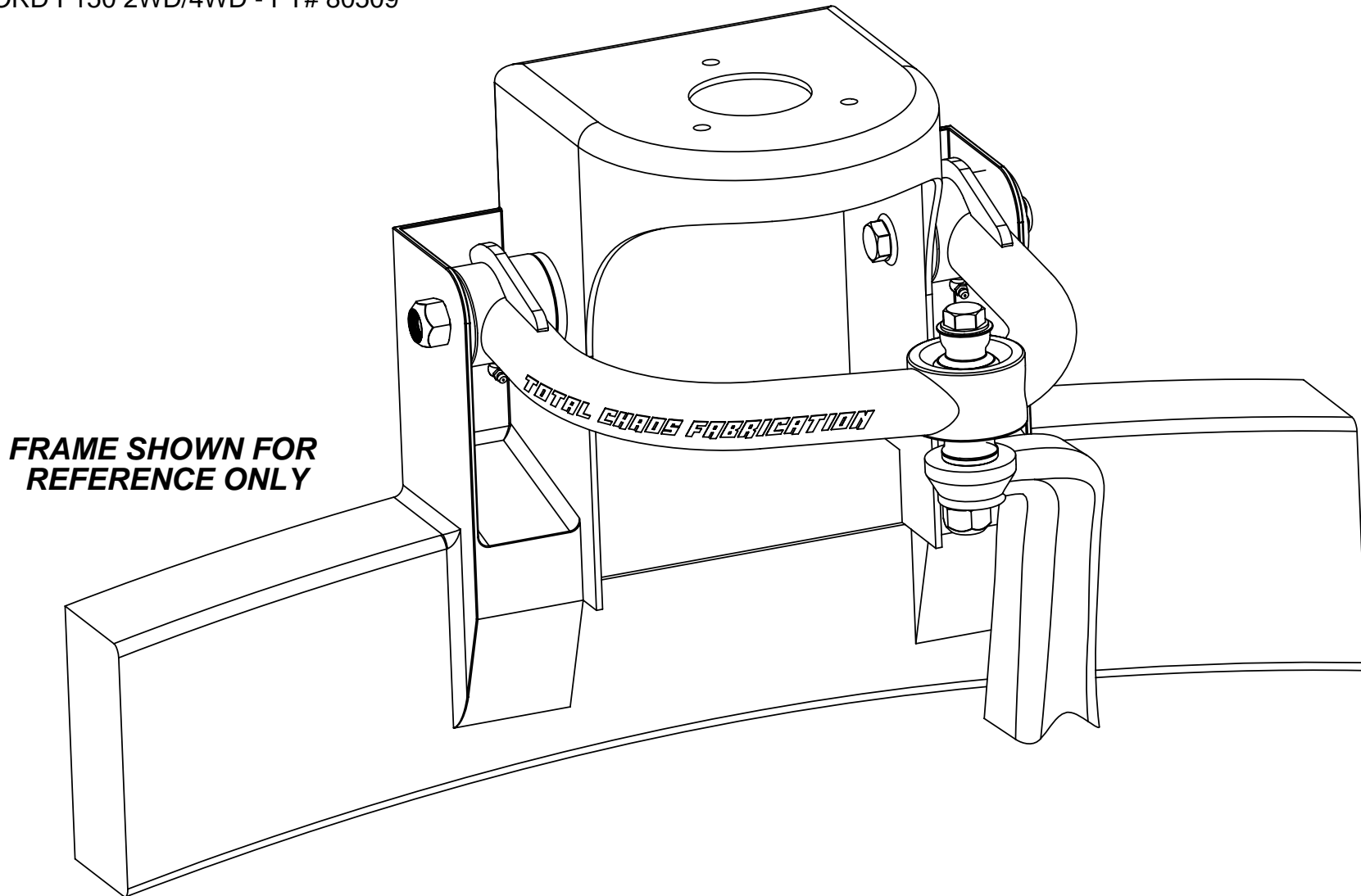


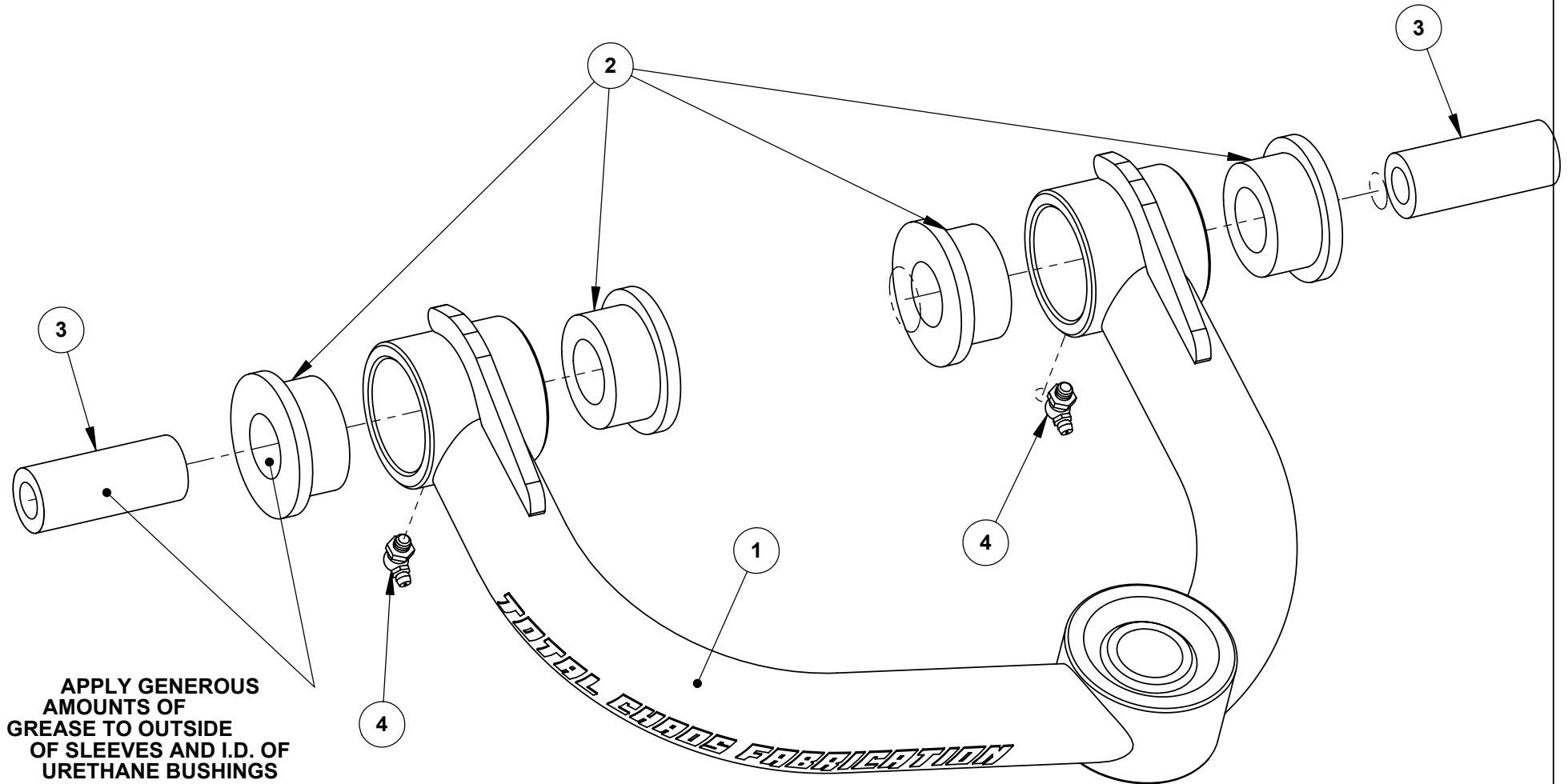
INSTALLATION DRAWINGS ARE FOR THE:
04-08 FORD F150 2WD/4WD - PT# 80501
09+ FORD F150 2WD/4WD - PT# 80509



PROPRIETARY AND CONFIDENTIAL

THE INFORMATION CONTAINED IN THIS DRAWING IS THE SOLE PROPERTY OF TOTAL CHAOS FABRICATION. ANY REPRODUCTION IN PART OR AS A WHOLE WITHOUT THE WRITTEN PERMISSION OF TOTAL CHAOS FABRICATION IS PROHIBITED.

LEFT SIDE OF TRUCK SHOWN. SOME ITEMS NOT SHOWN FOR CLARITY.

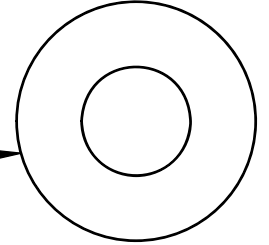


PROPRIETARY AND CONFIDENTIAL
THE INFORMATION CONTAINED IN THIS DRAWING IS THE SOLE PROPERTY OF TOTAL CHAOS FABRICATION. ANY REPRODUCTION IN PART OR AS A WHOLE WITHOUT THE WRITTEN PERMISSION OF TOTAL CHAOS FABRICATION IS PROHIBITED.

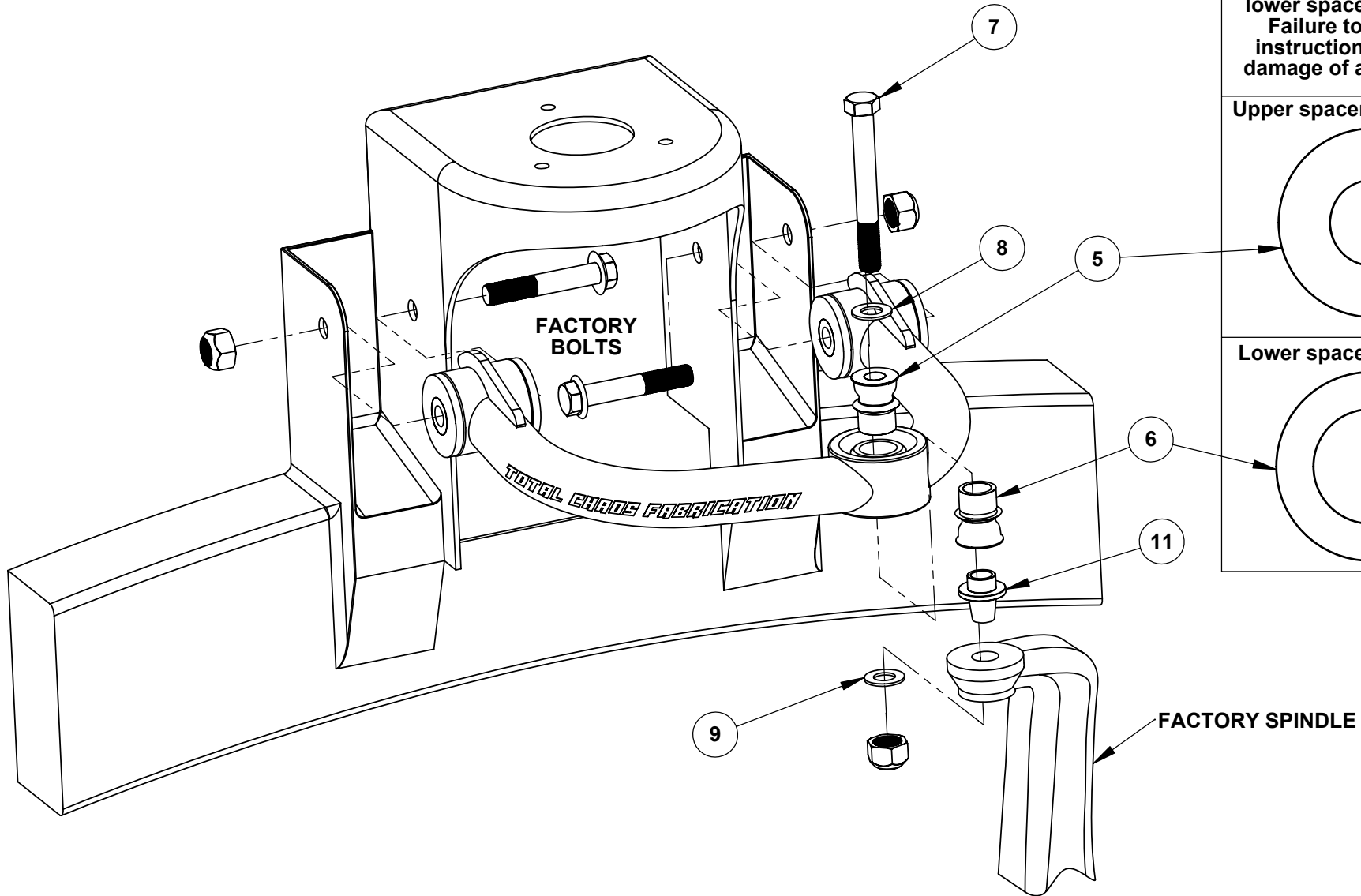
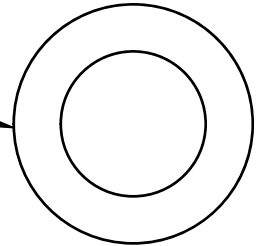
LEFT SIDE OF TRUCK SHOWN. SOME ITEMS NOT SHOWN FOR CLARITY.

IMPORTANT NOTE:
During assembly, upper & lower spacers are specific.
Failure to follow these instructions will result in damage of all components.

Upper spacer has 9/16" hole



Lower spacer has 3/4" hole



PROPRIETARY AND CONFIDENTIAL
THE INFORMATION CONTAINED IN THIS DRAWING IS THE SOLE PROPERTY OF TOTAL CHAOS FABRICATION. ANY REPRODUCTION IN PART OR AS A WHOLE WITHOUT THE WRITTEN PERMISSION OF TOTAL CHAOS FABRICATION IS PROHIBITED.

LEFT SIDE OF TRUCK SHOWN. SOME ITEMS NOT SHOWN FOR CLARITY.

INSTALLATION NOTES

The factory manual is required for torque specifications on all factory hardware. This procedure will involve the removal and re-installation of many parts. Always use factory replacements for worn or damaged parts.

Some items are not shown for clarity.

Page 2
Apply generous amounts of grease to outside of sleeves and I.D. of urethane bushings.

Page 3
Torque Item# 7 to 100 ft/lbs.

Inspect all components and re-torque all hardware within 500 miles.

PARTS LIST: 04-08 F150 UPPER CONTROL ARM			
ITEM #	PART #	QTY.	ITEM DESCRIPTION
1	99851L	1	CONTROL ARM, 04-08 F150 UPPER LEFT
	99851R	1	CONTROL ARM, 04-08 F150 UPPER RIGHT
2	60684	8	BUSHING, URETHANE HALF
3	68051	4	INNER SLEEVE
4	10005	4	FITTING, GREASE (ZERK)
5	10034TCF	2	SPACER, 3/4" MISALIGNMENT
6	100916	2	SPACER, 9/16" MISALIGNMENT
7	10251	2	BOLT, 9/16" x 5.00L
8	12203	2	WASHER, 9/16" AN
9	12204	2	WASHER, 9/16" SAE
10	11202	2	NUT, 9/16" C-LOCK
11	30006	2	SLEEVE, 9/16" TAPERED ADAPTER

PARTS LIST: 2009+ F150 UPPER CONTROL ARM			
ITEM #	PART #	QTY.	ITEM DESCRIPTION
1	99859L	1	CONTROL ARM, 09+ F150 UPPER LEFT
	99859R	1	CONTROL ARM, 09+ F150 UPPER RIGHT
2	60684	8	BUSHING, URETHANE HALF
3	68051	4	INNER SLEEVE
4	10005	4	FITTING, GREASE (ZERK)
5	10034TCF	2	SPACER, 3/4" MISALIGNMENT
6	100916	2	SPACER, 9/16" MISALIGNMENT
7	10251	2	BOLT, 9/16" x 5.00L
8	12203	2	WASHER, 9/16" AN
9	12204	2	WASHER, 9/16" SAE
10	11202	2	NUT, 9/16" C-LOCK
11	30006	2	SLEEVE, 9/16" TAPERED ADAPTER

TOTAL CHAOS Fabrication Inc.
159 North Maple St. Unit J
Corona, CA 92880
951.737.9682

PROPRIETARY AND CONFIDENTIAL
THE INFORMATION CONTAINED IN THIS DRAWING IS THE SOLE PROPERTY OF TOTAL CHAOS FABRICATION. ANY REPRODUCTION IN PART OR AS A WHOLE WITHOUT THE WRITTEN PERMISSION OF TOTAL CHAOS FABRICATION IS PROHIBITED.