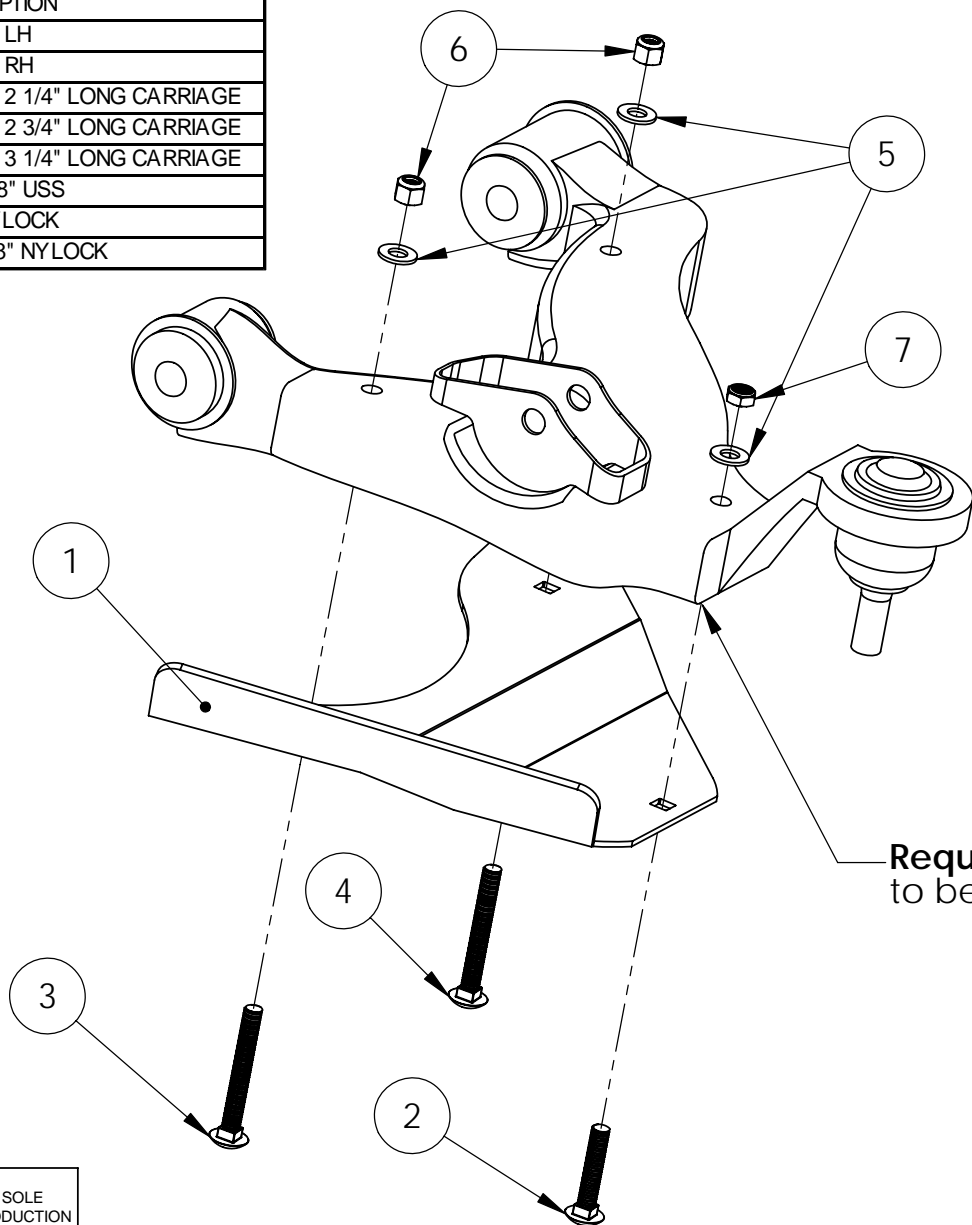


PARTS LIST: Lower Control Arm Skidplates PART # 86006

ITEM #	PART #	QTY.	ITEM DESCRIPTION
1	58606L	1	SKID PLATE, LH
	58606R	1	SKID PLATE, RH
2	10731	2	BOLT, 3/8" x 2 1/4" LONG CARRIAGE
3	10732	2	BOLT, 3/8" x 2 3/4" LONG CARRIAGE
4	10733	2	BOLT, 3/8" x 3 1/4" LONG CARRIAGE
5	12013	6	WASHER, 3/8" USS
6	11010	4	NUT, 3/8" NYLOCK
7	11013	2	JAM NUT, 3/8" NYLOCK



When Jounce Shocks are installed, drilling a custom hole in the TC skid plate is necessary for installation. Locate the bolt head and drill the skid plate for proper clearance.

Required: The outside hole will need to be drilled with a 3/8" drill bit.

PROPRIETARY AND CONFIDENTIAL
THE INFORMATION CONTAINED IN THIS DRAWING IS THE SOLE PROPERTY OF TOTAL CHAOS FABRICATION. ANY REPRODUCTION IN PART OR AS A WHOLE WITHOUT THE WRITTEN PERMISSION OF TOTAL CHAOS FABRICATION IS PROHIBITED.

*LEFT/DRIVER SIDE COMPONENTS SHOWN. FOR REFERENCE ONLY.