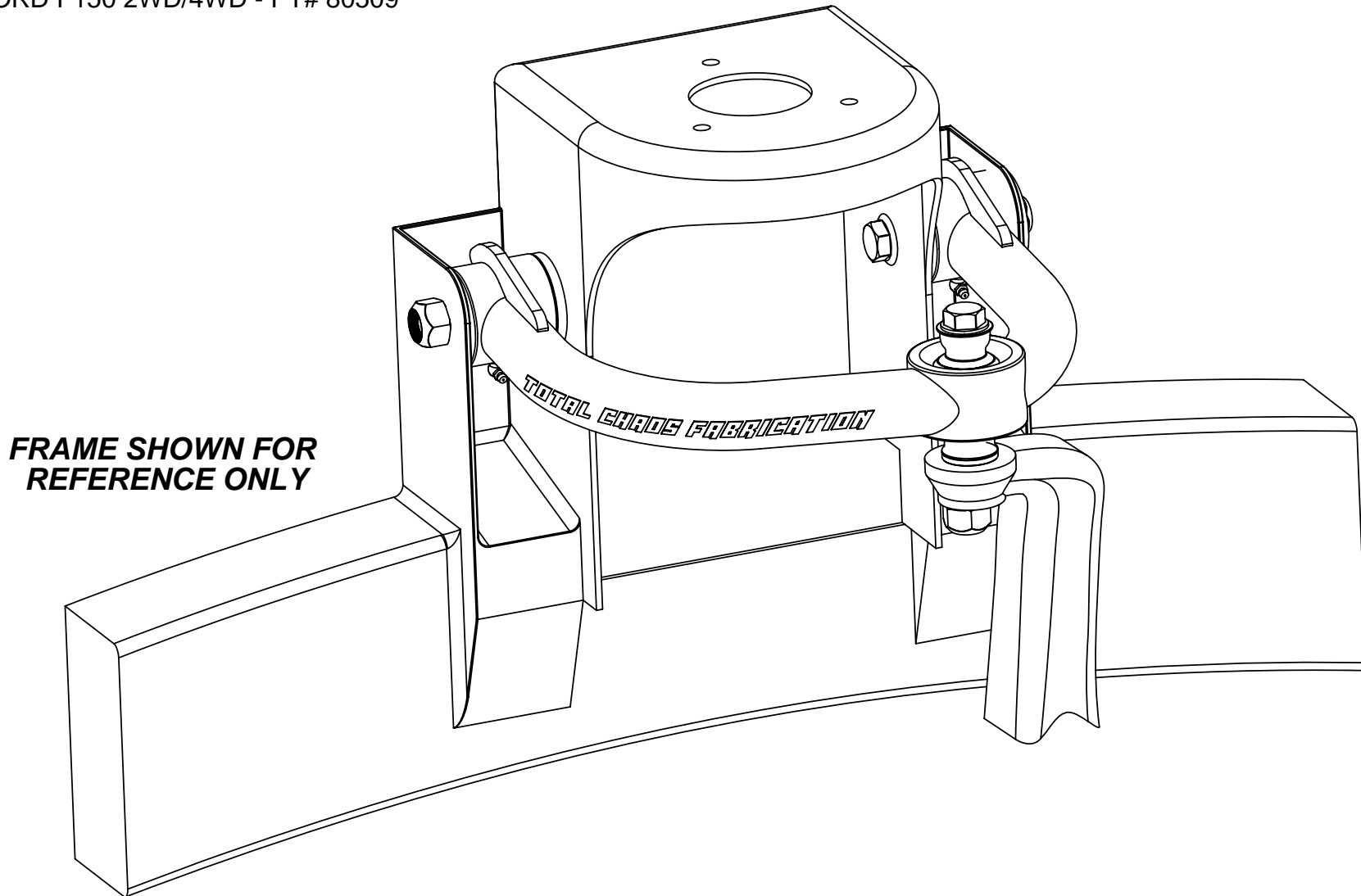


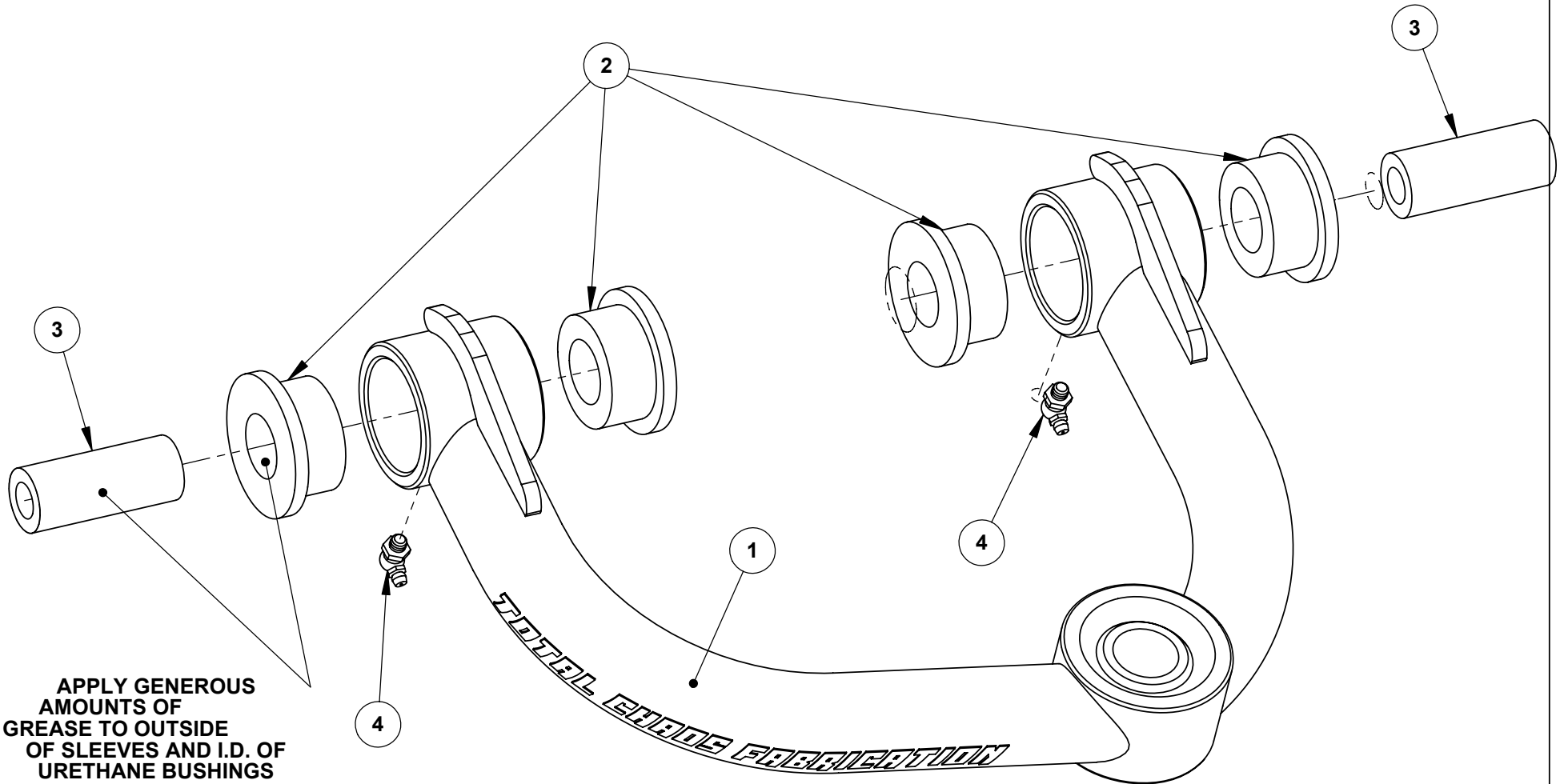
INSTALLATION DRAWINGS ARE FOR THE:  
04-08 FORD F150 2WD/4WD - PT# 80501  
09+ FORD F150 2WD/4WD - PT# 80509



**PROPRIETARY AND CONFIDENTIAL**

THE INFORMATION CONTAINED IN THIS DRAWING IS THE SOLE PROPERTY OF TOTAL CHAOS FABRICATION. ANY REPRODUCTION IN PART OR AS A WHOLE WITHOUT THE WRITTEN PERMISSION OF TOTAL CHAOS FABRICATION IS PROHIBITED.

LEFT SIDE OF TRUCK SHOWN. SOME ITEMS NOT SHOWN FOR CLARITY.

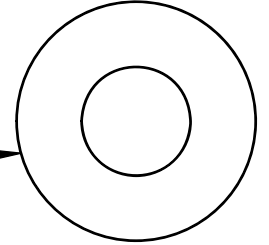


**PROPRIETARY AND CONFIDENTIAL**  
THE INFORMATION CONTAINED IN THIS DRAWING IS THE SOLE PROPERTY OF TOTAL CHAOS FABRICATION. ANY REPRODUCTION IN PART OR AS A WHOLE WITHOUT THE WRITTEN PERMISSION OF TOTAL CHAOS FABRICATION IS PROHIBITED.

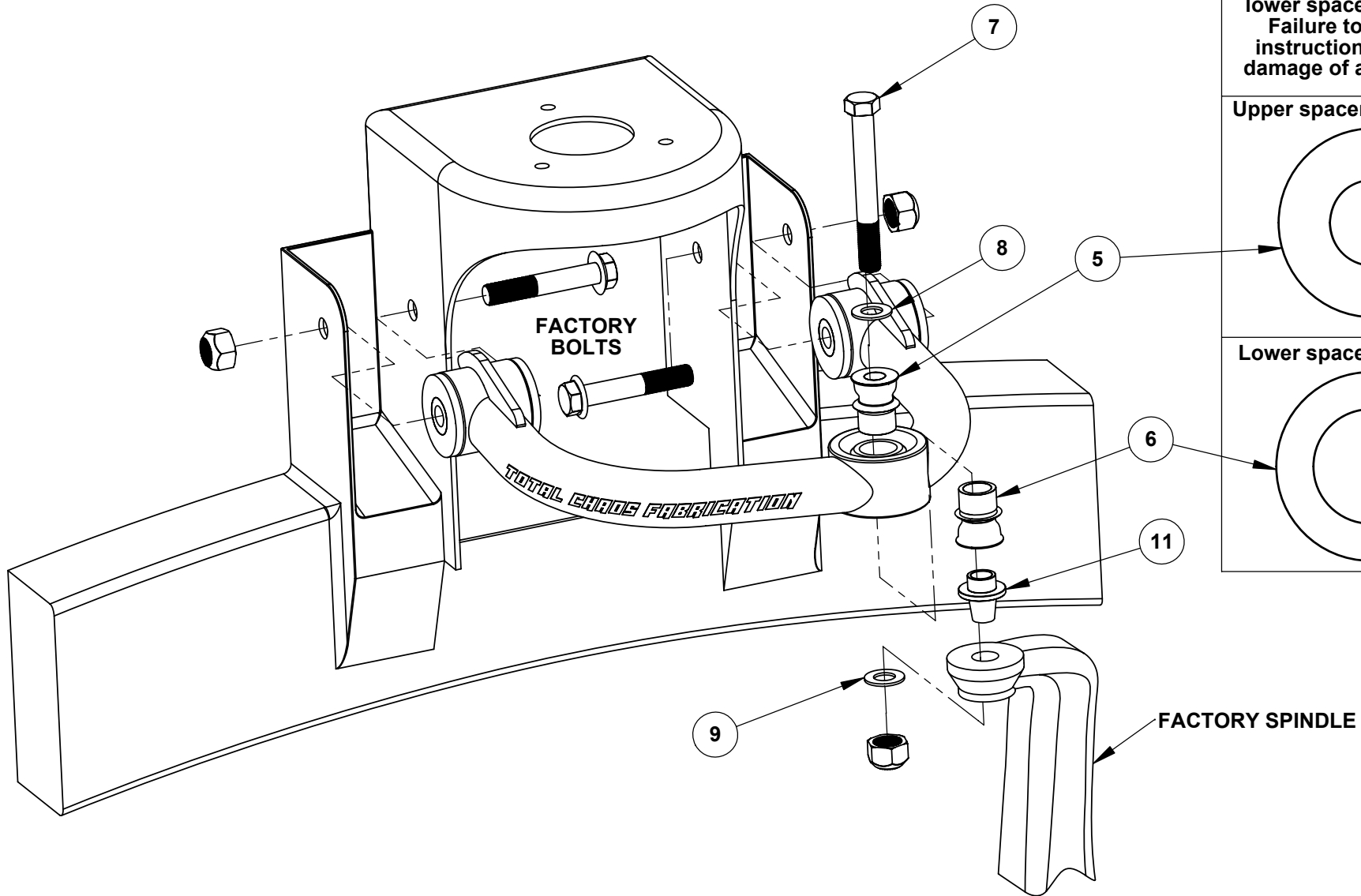
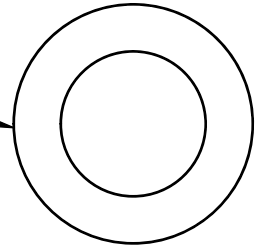
LEFT SIDE OF TRUCK SHOWN. SOME ITEMS NOT SHOWN FOR CLARITY.

**IMPORTANT NOTE:**  
During assembly, upper & lower spacers are specific.  
Failure to follow these instructions will result in damage of all components.

Upper spacer has 9/16" hole



Lower spacer has 3/4" hole



**PROPRIETARY AND CONFIDENTIAL**  
THE INFORMATION CONTAINED IN THIS DRAWING IS THE SOLE PROPERTY OF TOTAL CHAOS FABRICATION. ANY REPRODUCTION IN PART OR AS A WHOLE WITHOUT THE WRITTEN PERMISSION OF TOTAL CHAOS FABRICATION IS PROHIBITED.

LEFT SIDE OF TRUCK SHOWN. SOME ITEMS NOT SHOWN FOR CLARITY.

**INSTALLATION NOTES**

The factory manual is required for torque specifications on all factory hardware. This procedure will involve the removal and re-installation of many parts. Always use factory replacements for worn or damaged parts.

Some items are not shown for clarity.

Page 2  
Apply generous amounts of grease to outside of sleeves and I.D. of urethane bushings.

Page 3  
Torque Item# 7 to 100 ft/lbs.

Inspect all components and re-torque all hardware within 500 miles.

PARTS LIST: 04-08 F150 UPPER CONTROL ARM			
ITEM #	PART #	QTY.	ITEM DESCRIPTION
1	99851L	1	CONTROL ARM, 04-08 F150 UPPER LEFT
	99851R	1	CONTROL ARM, 04-08 F150 UPPER RIGHT
2	60684	8	BUSHING, URETHANE HALF
3	68051	4	INNER SLEEVE
4	10005	4	FITTING, GREASE (ZERK)
5	10034TCF	2	SPACER, 3/4" MISALIGNMENT
6	100916	2	SPACER, 9/16" MISALIGNMENT
7	10251	2	BOLT, 9/16" x 5.00L
8	12203	2	WASHER, 9/16" AN
9	12204	2	WASHER, 9/16" SAE (LARGER OUTER DIAMETER)
10	11202	2	NUT, 9/16" C-LOCK
11	30006	2	SLEEVE, 9/16" TAPERED ADAPTER

PARTS LIST: 2009+ F150 UPPER CONTROL ARM			
ITEM #	PART #	QTY.	ITEM DESCRIPTION
1	99859L	1	CONTROL ARM, 09+ F150 UPPER LEFT
	99859R	1	CONTROL ARM, 09+ F150 UPPER RIGHT
2	60684	8	BUSHING, URETHANE HALF
3	68051	4	INNER SLEEVE
4	10005	4	FITTING, GREASE (ZERK)
5	10034TCF	2	SPACER, 3/4" MISALIGNMENT
6	100916	2	SPACER, 9/16" MISALIGNMENT
7	10251	2	BOLT, 9/16" x 5.00L
8	12203	2	WASHER, 9/16" AN
9	12204	2	WASHER, 9/16" SAE
10	11202	2	NUT, 9/16" C-LOCK
11	30006	2	SLEEVE, 9/16" TAPERED ADAPTER

**TOTAL CHAOS Fabrication Inc.**  
**159 North Maple St. Unit J**  
**Corona, CA 92880**  
**951.737.9682**

**PROPRIETARY AND CONFIDENTIAL**  
THE INFORMATION CONTAINED IN THIS DRAWING IS THE SOLE PROPERTY OF TOTAL CHAOS FABRICATION. ANY REPRODUCTION IN PART OR AS A WHOLE WITHOUT THE WRITTEN PERMISSION OF TOTAL CHAOS FABRICATION IS PROHIBITED.