

**TOTAL CHAOS
FABRICATION**

www.chaosfab.com

INSTALLATION INSTRUCTIONS

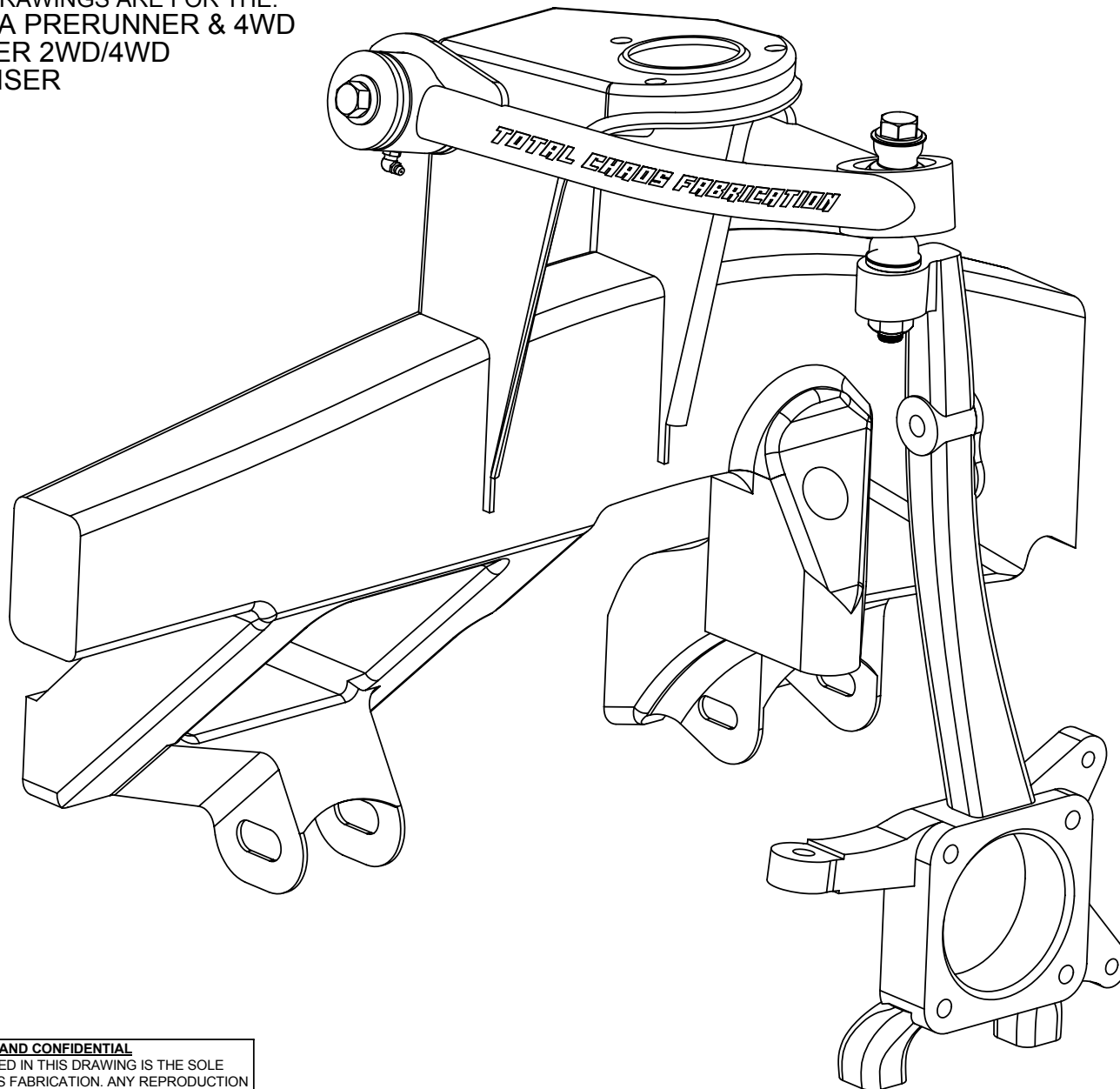
05+ TACOMA PRERUNNER/4WD U.C.A.

03+ 4RUNNER/07+ FJ CRUISER U.C.A.

TC-96504

DATE: 5/9/2007
REV.: 02
SCALE: N.T.S.
PAGE: 1 OF 4
DRAWN: SW

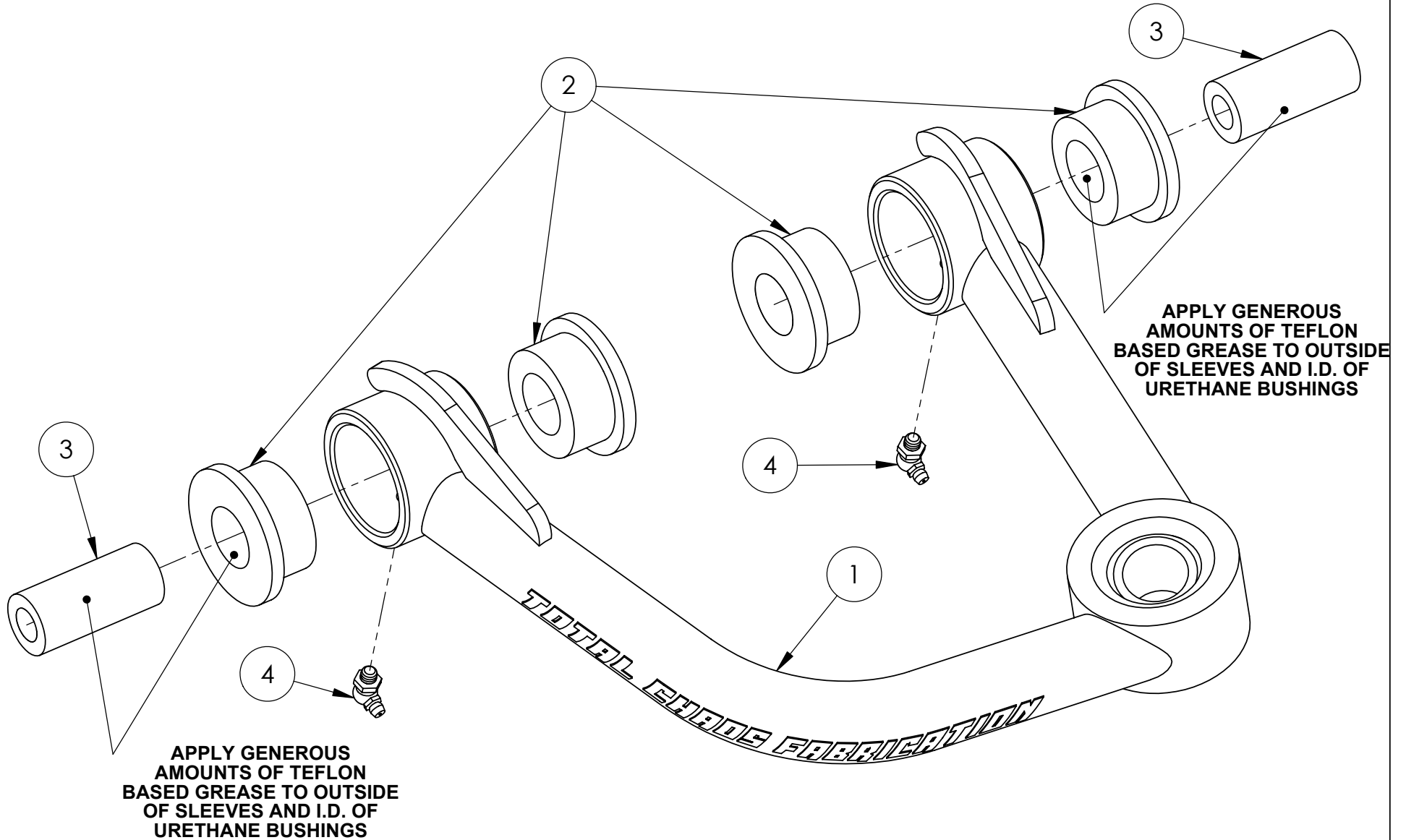
INSTALLATION DRAWINGS ARE FOR THE:
2005+ TACOMA PRERUNNER & 4WD
2003+ 4RUNNER 2WD/4WD
2007+ FJ CRUISER



PROPRIETARY AND CONFIDENTIAL

THE INFORMATION CONTAINED IN THIS DRAWING IS THE SOLE PROPERTY OF TOTAL CHAOS FABRICATION. ANY REPRODUCTION IN PART OR AS A WHOLE WITHOUT THE WRITTEN PERMISSION OF TOTAL CHAOS FABRICATION IS PROHIBITED.

*LEFT SIDE OF TRUCK SHOWN. SOME ITEMS NOT SHOWN FOR CLARITY.

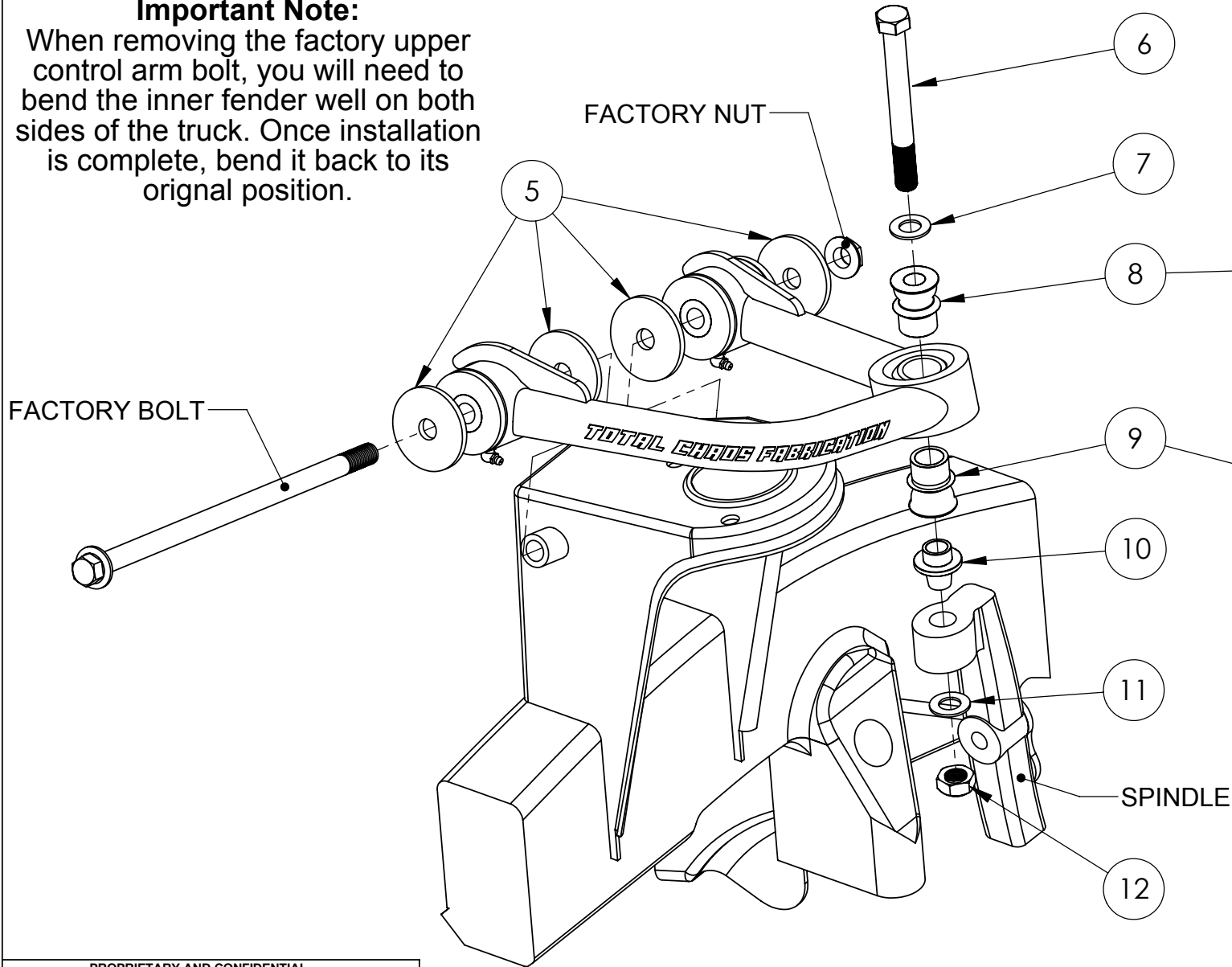


PROPRIETARY AND CONFIDENTIAL
THE INFORMATION CONTAINED IN THIS DRAWING IS THE SOLE PROPERTY OF TOTAL CHAOS FABRICATION. ANY REPRODUCTION IN PART OR AS A WHOLE WITHOUT THE WRITTEN PERMISSION OF TOTAL CHAOS FABRICATION IS PROHIBITED.

*LEFT SIDE OF TRUCK SHOWN. SOME ITEMS NOT SHOWN FOR CLARITY.

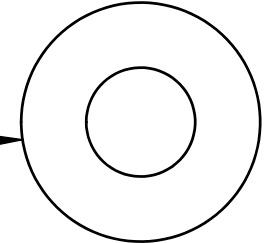
Important Note:

When removing the factory upper control arm bolt, you will need to bend the inner fender well on both sides of the truck. Once installation is complete, bend it back to its original position.

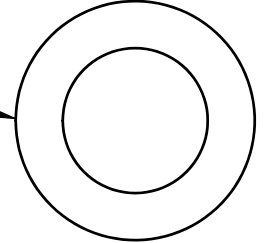


IMPORTANT NOTE:
During assembly, upper & lower spacers are specific. Failure to follow these instructions will result in damage of all components.

Upper spacer has 9/16" hole



Lower spacer has 3/4" hole



PROPRIETARY AND CONFIDENTIAL
THE INFORMATION CONTAINED IN THIS DRAWING IS THE SOLE PROPERTY OF TOTAL CHAOS FABRICATION. ANY REPRODUCTION IN PART OR AS A WHOLE WITHOUT THE WRITTEN PERMISSION OF TOTAL CHAOS FABRICATION IS PROHIBITED.

*LEFT SIDE OF TRUCK SHOWN. SOME ITEMS NOT SHOWN FOR CLARITY.

INSTALLATION NOTES

The factory manual is required for torque specifications on all factory hardware. This procedure will involve the removal and re-installation of many parts. Always use factory replacements for worn or damaged parts.

Some items are not shown for clarity.

Page 2
Apply generous amounts of teflon based grease to outside of sleeves and I.D. of urethane bushings. (Teflon based grease is available from TOTAL CHAOS. Part # - Superlube)

Page 3
Torque Item# 6 to 100 ft/lbs.

Inspect all components and re-torque all hardware within 500 miles.

PARTS LIST: 05+ TACO/FJ/4RUN UPPER CONTROL ARM			
ITEM #	PART #	QTY.	ITEM DESCRIPTION
1	99654L	1	CONTROL ARM, 05+ TACOMA UPPER LEFT
	99654R	1	CONTROL ARM, 05+ TACOMA UPPER RIGHT
2	60684	8	BUSHING, URETHANE HALF
3	69120	4	INNER SLEEVE
4	10005	4	FITTING, GREASE (ZERK)
5	69620	8	WASHER, PLATED PIVOT END
6	10251	2	BOLT, 9/16" x 5.00L
7	12203	2	WASHER, 9/16" AN
8	100916	2	SPACER, 9/16" MISALIGNMENT
9	10034TCF	2	SPACER, 3/4" MISALIGNMENT
10	30004	2	SLEEVE, 9/16" TAPERED ADAPTER
11	12204	2	WASHER, 9/16" SAE
12	11202	2	NUT, 9/16" C-LOCK

TOTAL CHAOS Fabrication Inc.
159 North Maple St. Unit J
Corona, CA 92880
951.737.9682

PROPRIETARY AND CONFIDENTIAL
THE INFORMATION CONTAINED IN THIS DRAWING IS THE SOLE PROPERTY OF TOTAL CHAOS FABRICATION. ANY REPRODUCTION IN PART OR AS A WHOLE WITHOUT THE WRITTEN PERMISSION OF TOTAL CHAOS FABRICATION IS PROHIBITED.

*LEFT SIDE OF TRUCK SHOWN. SOME ITEMS NOT SHOWN FOR CLARITY.