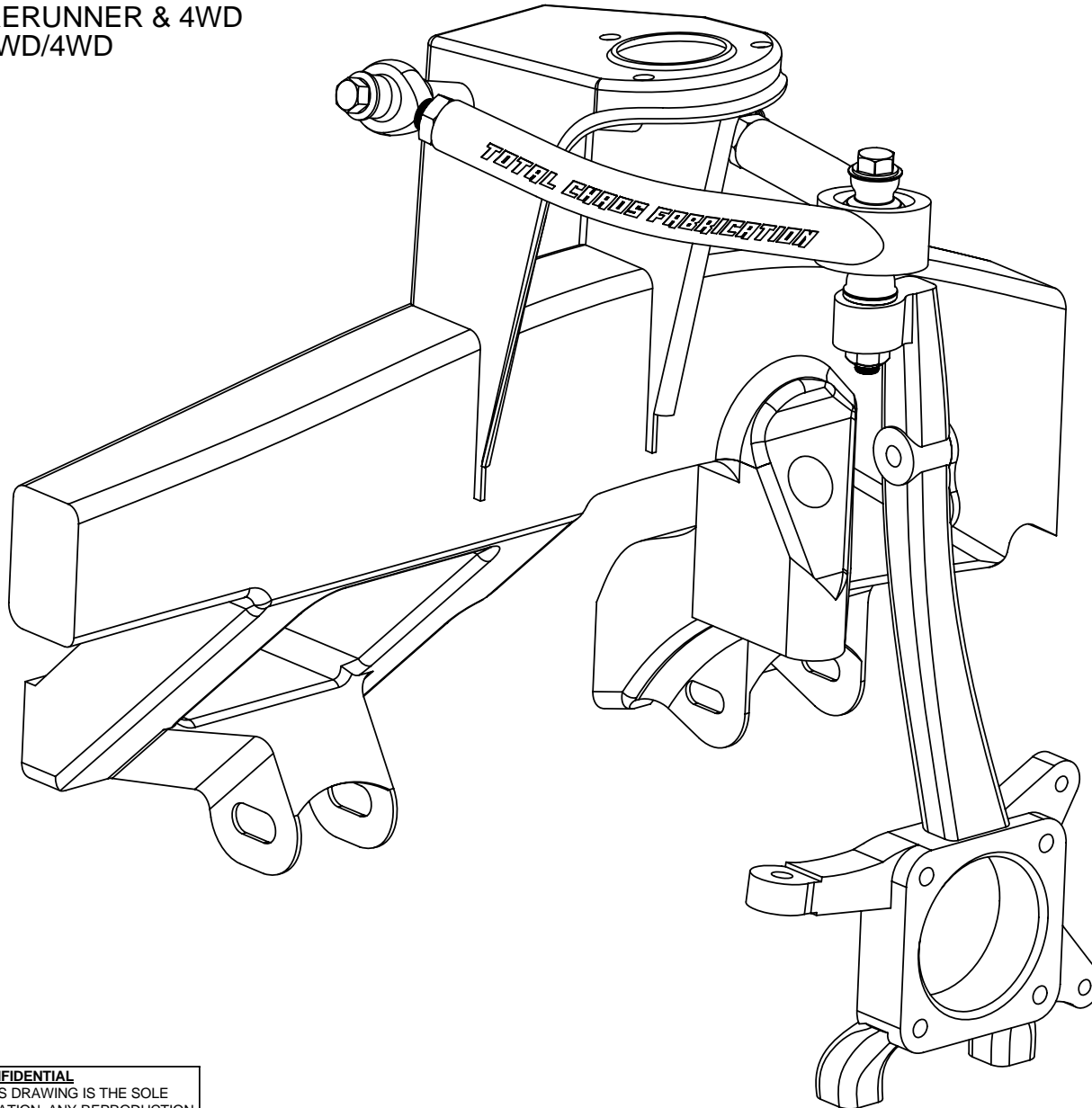


INSTALLATION DRAWINGS ARE FOR THE:  
2005+ TACOMA PRERUNNER & 4WD  
2003+ 4RUNNER 2WD/4WD  
2007+ FJ CRUISER



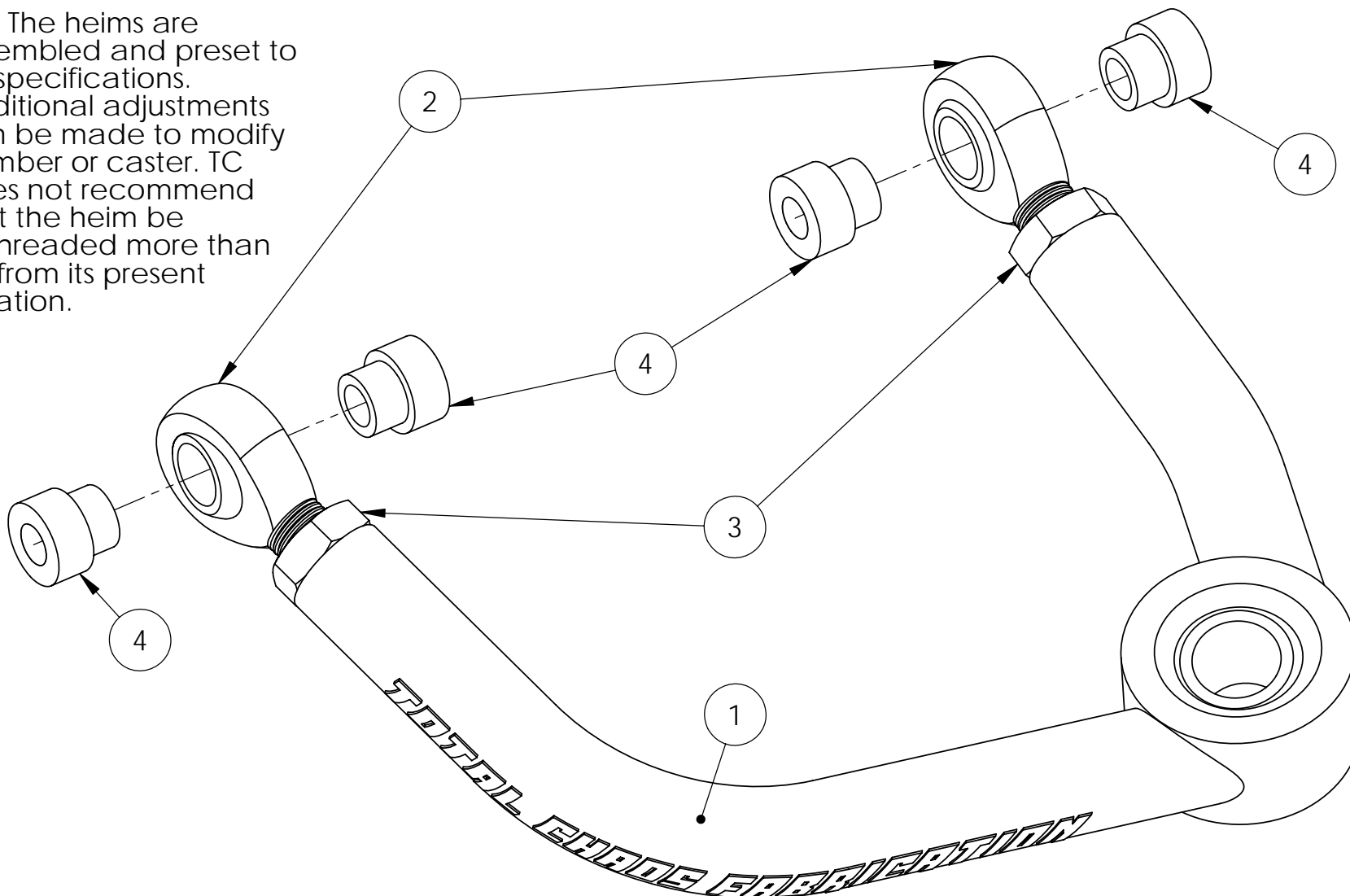
**PROPRIETARY AND CONFIDENTIAL**

THE INFORMATION CONTAINED IN THIS DRAWING IS THE SOLE PROPERTY OF TOTAL CHAOS FABRICATION. ANY REPRODUCTION IN PART OR AS A WHOLE WITHOUT THE WRITTEN PERMISSION OF TOTAL CHAOS FABRICATION IS PROHIBITED.

\*LEFT SIDE OF TRUCK SHOWN. SOME ITEMS NOT SHOWN FOR CLARITY.

**UPPER CONTROL ARM ASSEMBLY**

\*\*\*\* The heims are assembled and preset to TC specifications. Additional adjustments can be made to modify camber or caster. TC does not recommend that the heim be unthreaded more than 1/4" from its present location.



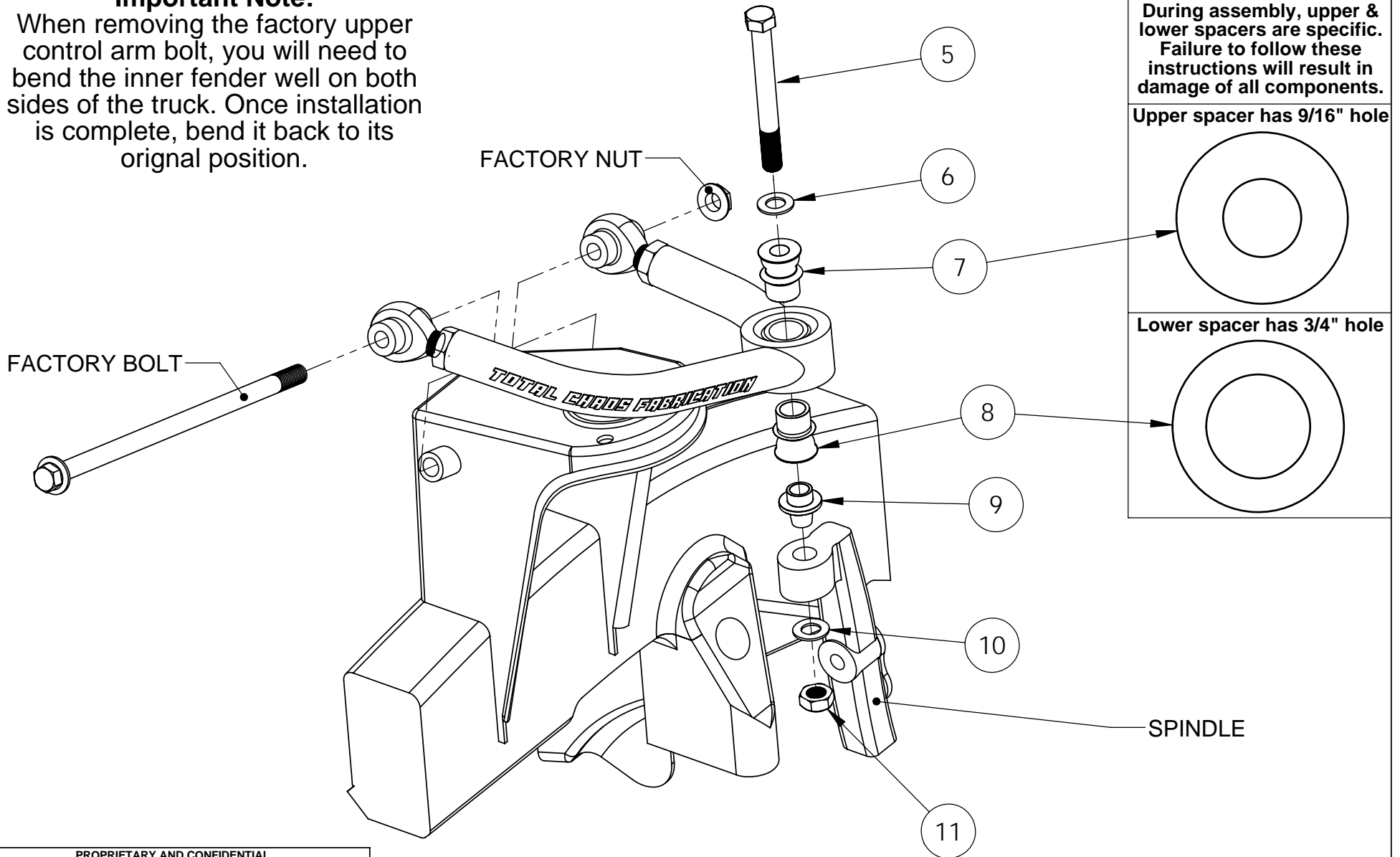
**PROPRIETARY AND CONFIDENTIAL**

THE INFORMATION CONTAINED IN THIS DRAWING IS THE SOLE PROPERTY OF TOTAL CHAOS FABRICATION. ANY REPRODUCTION IN PART OR AS A WHOLE WITHOUT THE WRITTEN PERMISSION OF TOTAL CHAOS FABRICATION IS PROHIBITED.

\*LEFT SIDE OF TRUCK SHOWN. SOME ITEMS NOT SHOWN FOR CLARITY.

**Important Note:**

When removing the factory upper control arm bolt, you will need to bend the inner fender well on both sides of the truck. Once installation is complete, bend it back to its original position.



**IMPORTANT NOTE:**  
During assembly, upper & lower spacers are specific. Failure to follow these instructions will result in damage of all components.

Upper spacer has 9/16" hole

Lower spacer has 3/4" hole

**PROPRIETARY AND CONFIDENTIAL**  
THE INFORMATION CONTAINED IN THIS DRAWING IS THE SOLE PROPERTY OF TOTAL CHAOS FABRICATION. ANY REPRODUCTION IN PART OR AS A WHOLE WITHOUT THE WRITTEN PERMISSION OF TOTAL CHAOS FABRICATION IS PROHIBITED.

\*LEFT SIDE OF TRUCK SHOWN. SOME ITEMS NOT SHOWN FOR CLARITY.

**INSTALLATION NOTES**

The factory manual is required for torque specifications on all factory hardware. This procedure will involve the removal and re-installation of many parts. Always use factory replacements for worn or damaged parts.

Some items are not shown for clarity.

Page 3  
Torque Item# 5 to 100 ft/lbs.

Inspect all components and re-torque all hardware within 500 miles.

**TOTAL CHAOS Fabrication Inc.**  
**159 North Maple St. Unit J**  
**Corona, CA 92880**  
**951.737.9682**

**PARTS LIST: 05+ TACO/FJ/4RUN UPPER CONTROL ARM**

ITEM #	PART #	QTY.	ITEM DESCRIPTION
1	99654LH	1	CONTROL ARM, HEIMED UPPER LEFT
	99654RH	1	CONTROL ARM, HEIMED UPPER RIGHT
2	JMX12T	4	HEIM, 3/4" x 3/4" RHT
3	11373	4	JAM NUT, 3/4" HEIM
4	99868	8	SPACER, UPPER CONTROL ARM HEIM
5	10251	2	BOLT, 9/16" x 5.00L
6	12203	2	WASHER, 9/16" AN
7	100916	2	SPACER, 9/16" MISALIGNMENT
8	10034TCF	2	SPACER, 3/4" MISALIGNMENT
9	30004	2	SLEEVE, 9/16" TAPERED ADAPTER
10	12204	2	WASHER, 9/16" SAE
11	11202	2	NUT, 9/16" C-LOCK

**PROPRIETARY AND CONFIDENTIAL**  
THE INFORMATION CONTAINED IN THIS DRAWING IS THE SOLE PROPERTY OF TOTAL CHAOS FABRICATION. ANY REPRODUCTION IN PART OR AS A WHOLE WITHOUT THE WRITTEN PERMISSION OF TOTAL CHAOS FABRICATION IS PROHIBITED.

\*LEFT SIDE OF TRUCK SHOWN. SOME ITEMS NOT SHOWN FOR CLARITY.