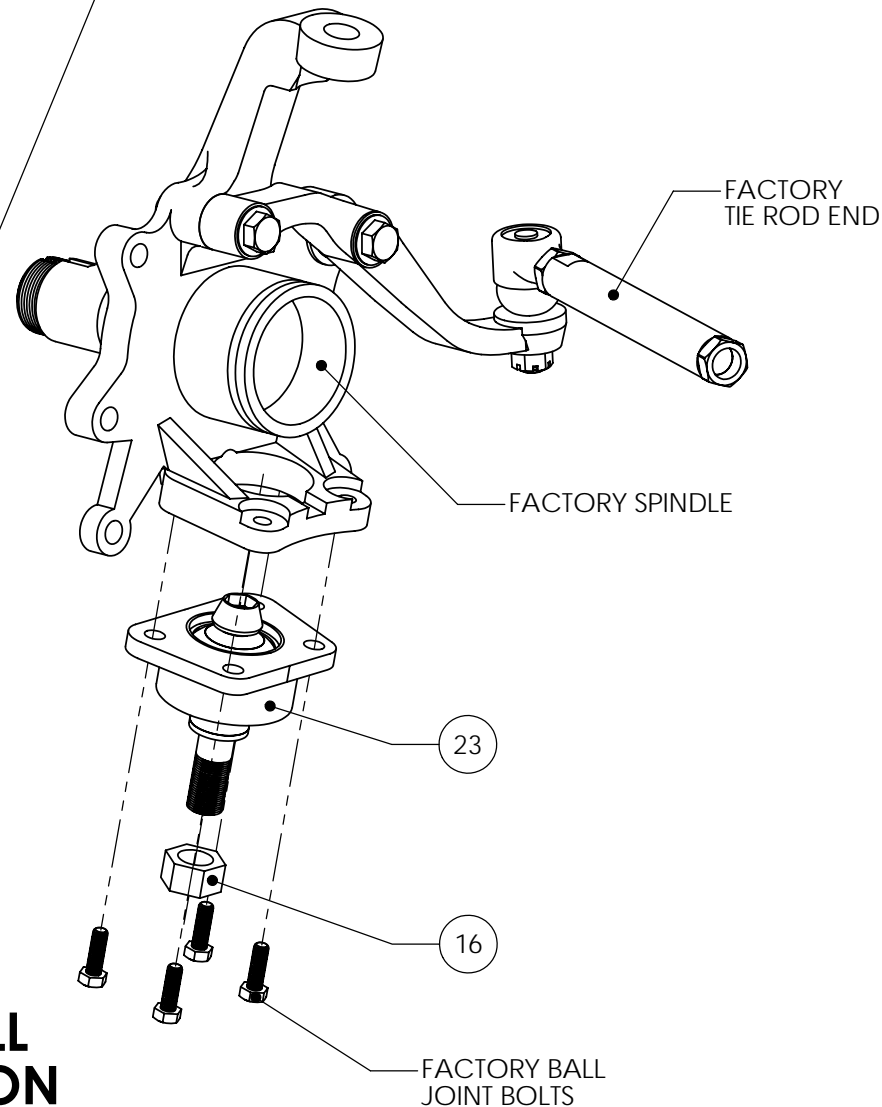
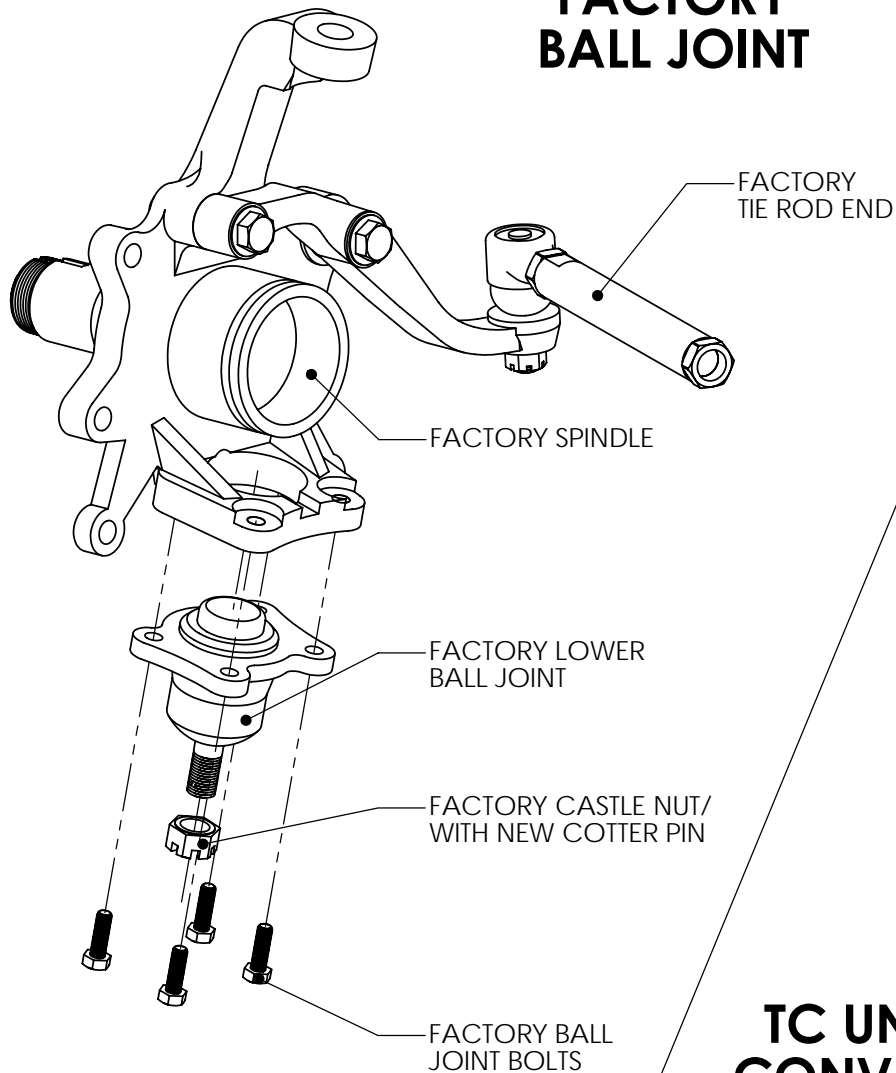


THESE INSTALLATION DRAWINGS ARE FOR THE 4x4 "CADDY KIT" GEN-2.

FACTORY BALL JOINT



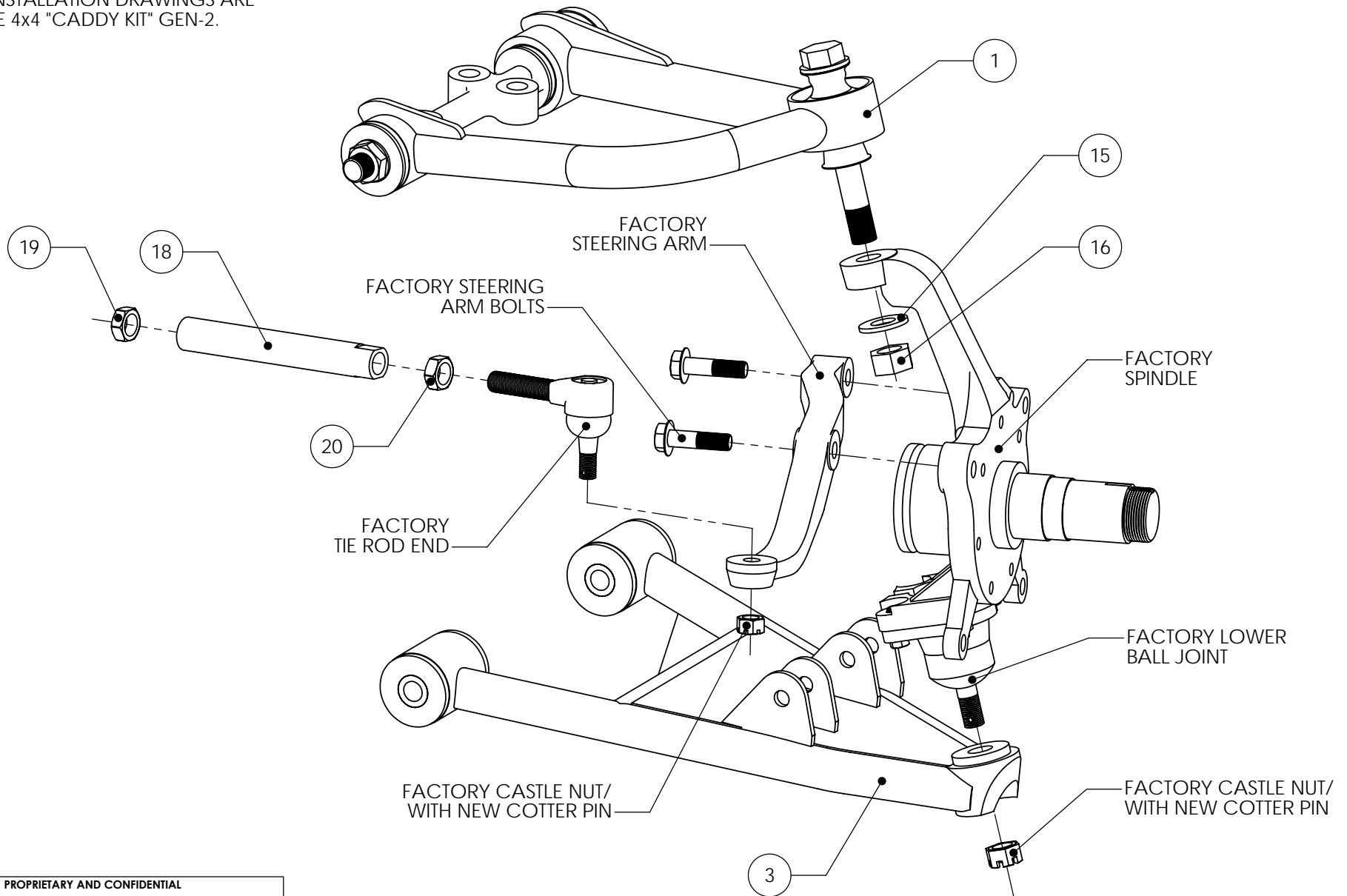
**TC UNIBALL
CONVERSION
PT#: TCA-95140**

PROPRIETARY AND CONFIDENTIAL

THE INFORMATION CONTAINED IN THIS DRAWING IS THE SOLE PROPERTY OF TOTAL CHAOS FABRICATION. ANY REPRODUCTION IN PART OR AS A WHOLE WITHOUT THE WRITTEN PERMISSION OF TOTAL CHAOS FABRICATION IS PROHIBITED.

LEFT SIDE OF TRUCK SHOWN. SOME ITEMS NOT SHOWN FOR CLARITY.

THESE INSTALLATION DRAWINGS ARE FOR THE 4x4 "CADDY KIT" GEN-2.

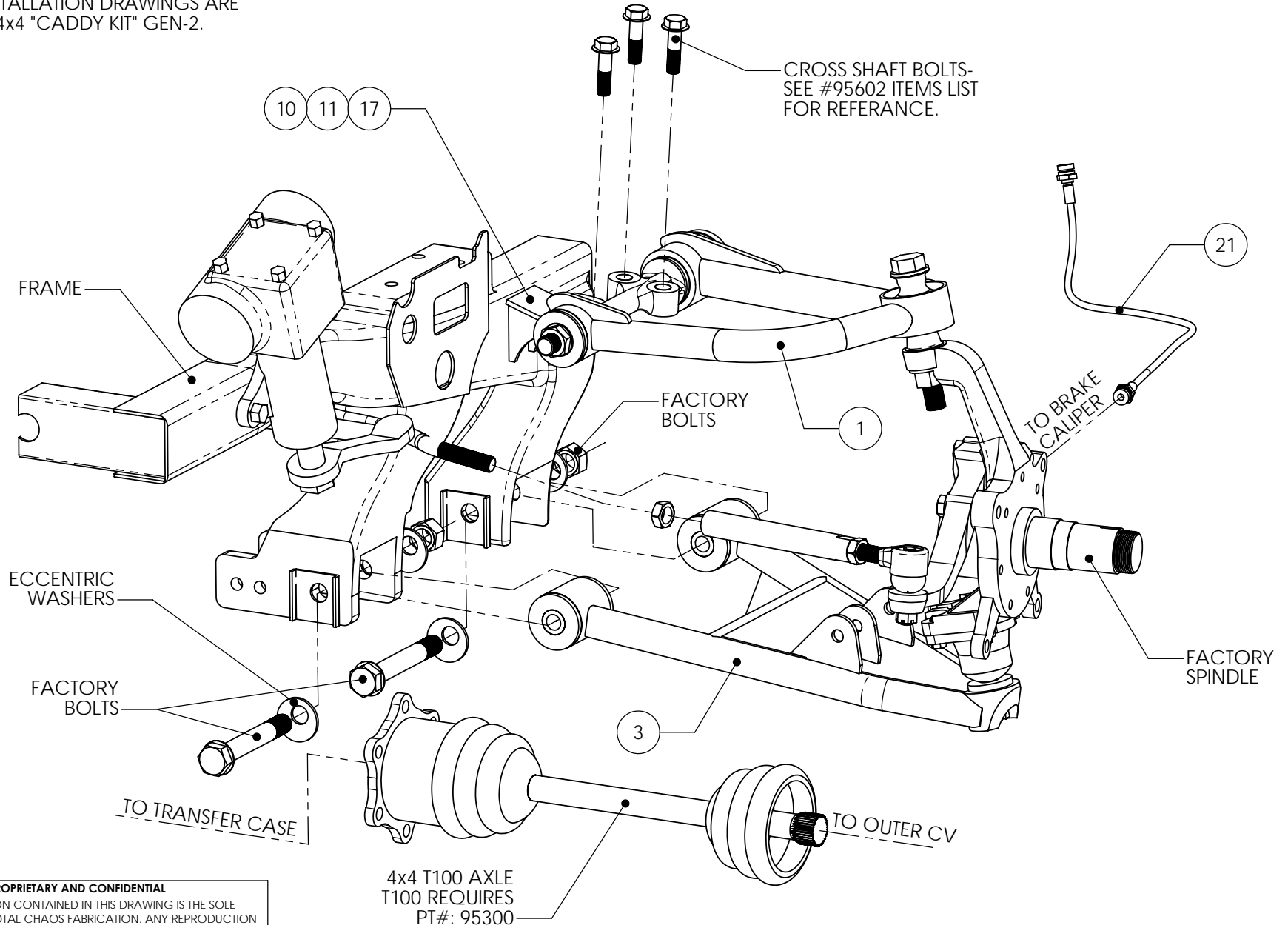


PROPRIETARY AND CONFIDENTIAL

THE INFORMATION CONTAINED IN THIS DRAWING IS THE SOLE PROPERTY OF TOTAL CHAOS FABRICATION. ANY REPRODUCTION IN PART OR AS A WHOLE WITHOUT THE WRITTEN PERMISSION OF TOTAL CHAOS FABRICATION IS PROHIBITED.

LEFT SIDE OF TRUCK SHOWN. SOME ITEMS NOT SHOWN FOR CLARITY.

THESE INSTALLATION DRAWINGS ARE FOR THE 4x4 "CADDY KIT" GEN-2.



PROPRIETARY AND CONFIDENTIAL

THE INFORMATION CONTAINED IN THIS DRAWING IS THE SOLE PROPERTY OF TOTAL CHAOS FABRICATION. ANY REPRODUCTION IN PART OR AS A WHOLE WITHOUT THE WRITTEN PERMISSION OF TOTAL CHAOS FABRICATION IS PROHIBITED.

LEFT SIDE OF TRUCK SHOWN. SOME ITEMS NOT SHOWN FOR CLARITY.

INSTALLATION NOTES:

The factory manual is required for torque specifications on all hardware. This procedure will involve the removal and re-installation of many parts. Always use factory replacement parts for any worn or damaged parts. Always use new cotter keys for re-installation.

Some items are not shown for clarity.

1. Apply generous amount of grease on all sleeves and urethane bushings.

PARTS LIST: TOYOTA 4x4 "CADDY KIT - GEN2" (PT# 95200)			
ITEM #	PART #	QTY.	ITEM DESCRIPTION
1	99521L	1	Upper Arm CADDY GEN-2 Left
2	99521R	1	Upper Arm CADDY GEN-2 Right
3	99522L	1	Lower Arm CADDY GEN-2 Left
4	99522R	1	Lower Arm CADDY GEN-2 Right
5	60292	6	Bushing, 1.00x.750x1.50L Urethane
6	60684	4	Bushing, 1.00x.750x.825L Urethane
7	64032	2	Bushing, 2.100x.3125x.625 Urethane
8	69510	2	Sleeve, 1.00x.775x1.815L Steel
9	69520	4	Sleeve, 1.00x.625x2.750L Steel
10	60235	2	Bump Stop, Urethane
11	59201	2	Bracket, Bump Stop
12	10034TCF	2	Spacer, 1"-3/4" Hi-Misalignment TCF
13	10034T	2	Spacer, 1"-3/4" Hi-Misalignment Tall
14	10350	2	Bolt, 3/4"-16x 5.00L Grade 8
15	12303	4	Washer, 3/4" AN FLAT
16	11302	2	Nut, 3/4"-16 C-Lock Grade 8
17	11010	2	Nut, 3/8"-16 Nylock
18	99007	2	Tierod, 7" Adjuster Chromoly
19	11173	2	Nut, 17MM Right Hand JAM
20	11175	2	Nut, 17MM Left Hand JAM
21	95330	2	Brake Line, 20" Stainless
22	33301	4	Clip, Brake Line Mount
23	HIN16T-A	2	Uniball, 1" Chromoly

951-737-9682 www.chaosfab.com
159 NORTH MAPLE ST. # J, CORONA, CA 92880
Fax 951-737-9006

PROPRIETARY AND CONFIDENTIAL
THE INFORMATION CONTAINED IN THIS DRAWING IS THE SOLE PROPERTY OF TOTAL CHAOS FABRICATION. ANY REPRODUCTION IN PART OR AS A WHOLE WITHOUT THE WRITTEN PERMISSION OF TOTAL CHAOS FABRICATION IS PROHIBITED.

LEFT SIDE OF TRUCK SHOWN. SOME ITEMS NOT SHOWN FOR CLARITY.